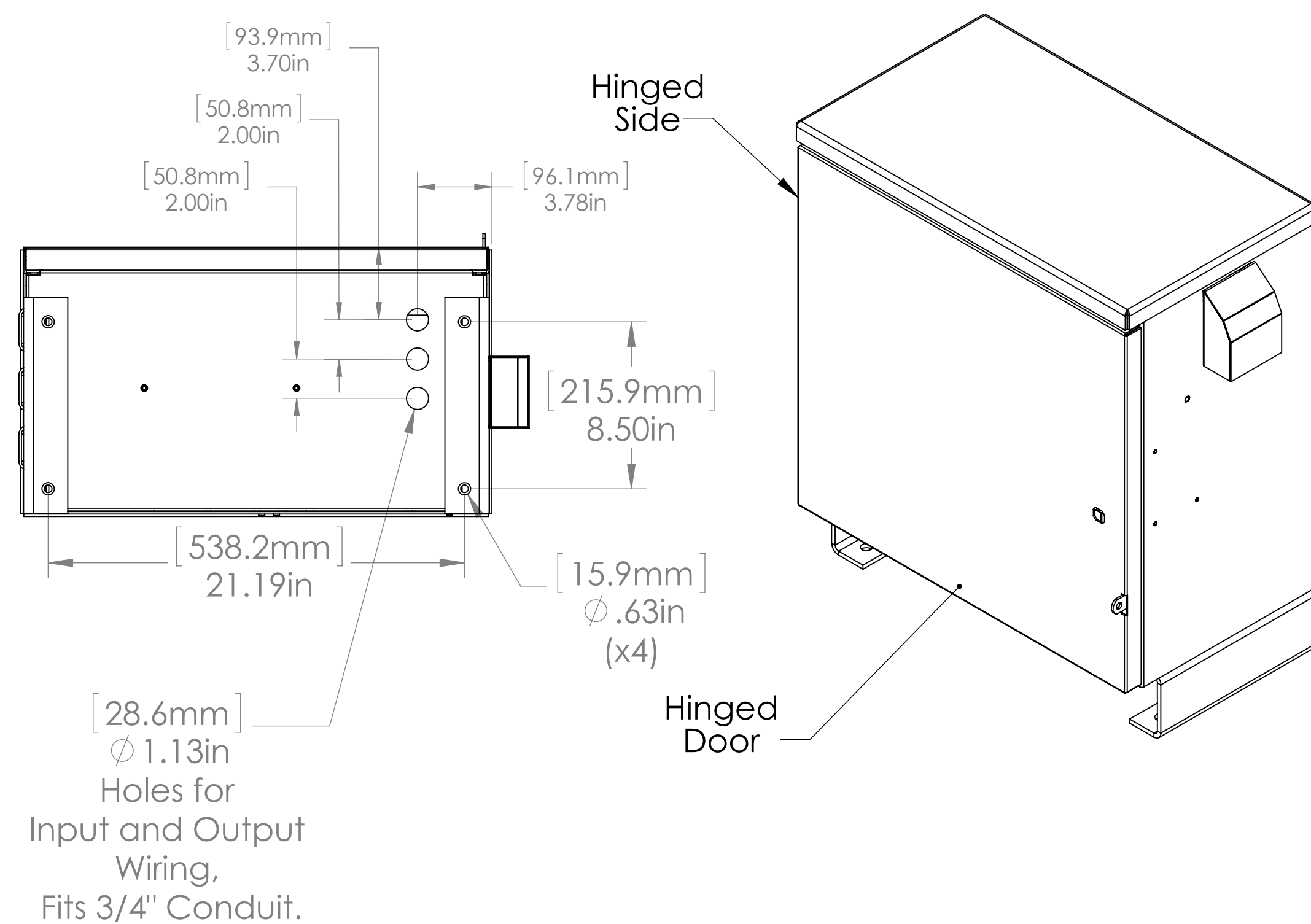
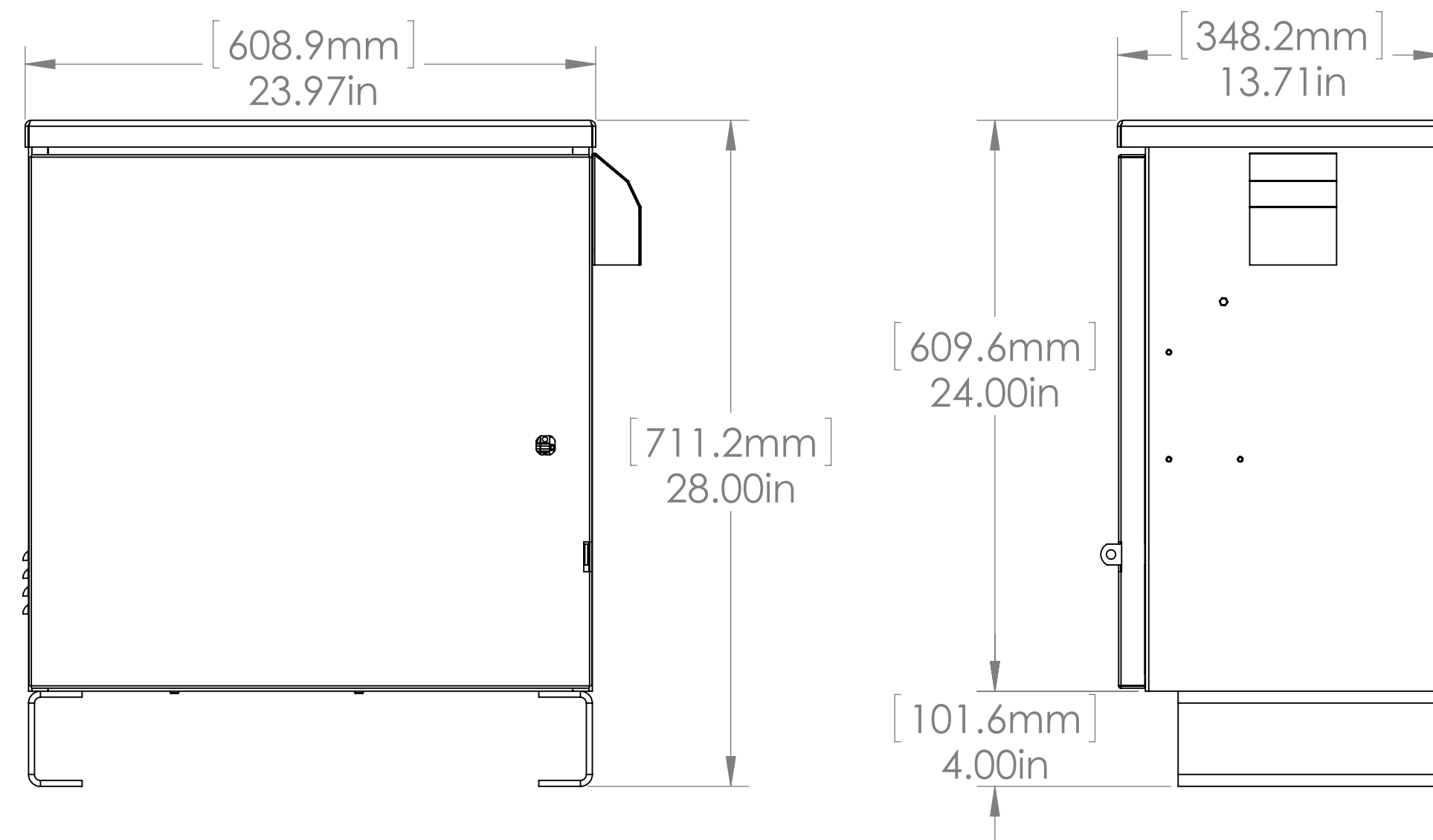
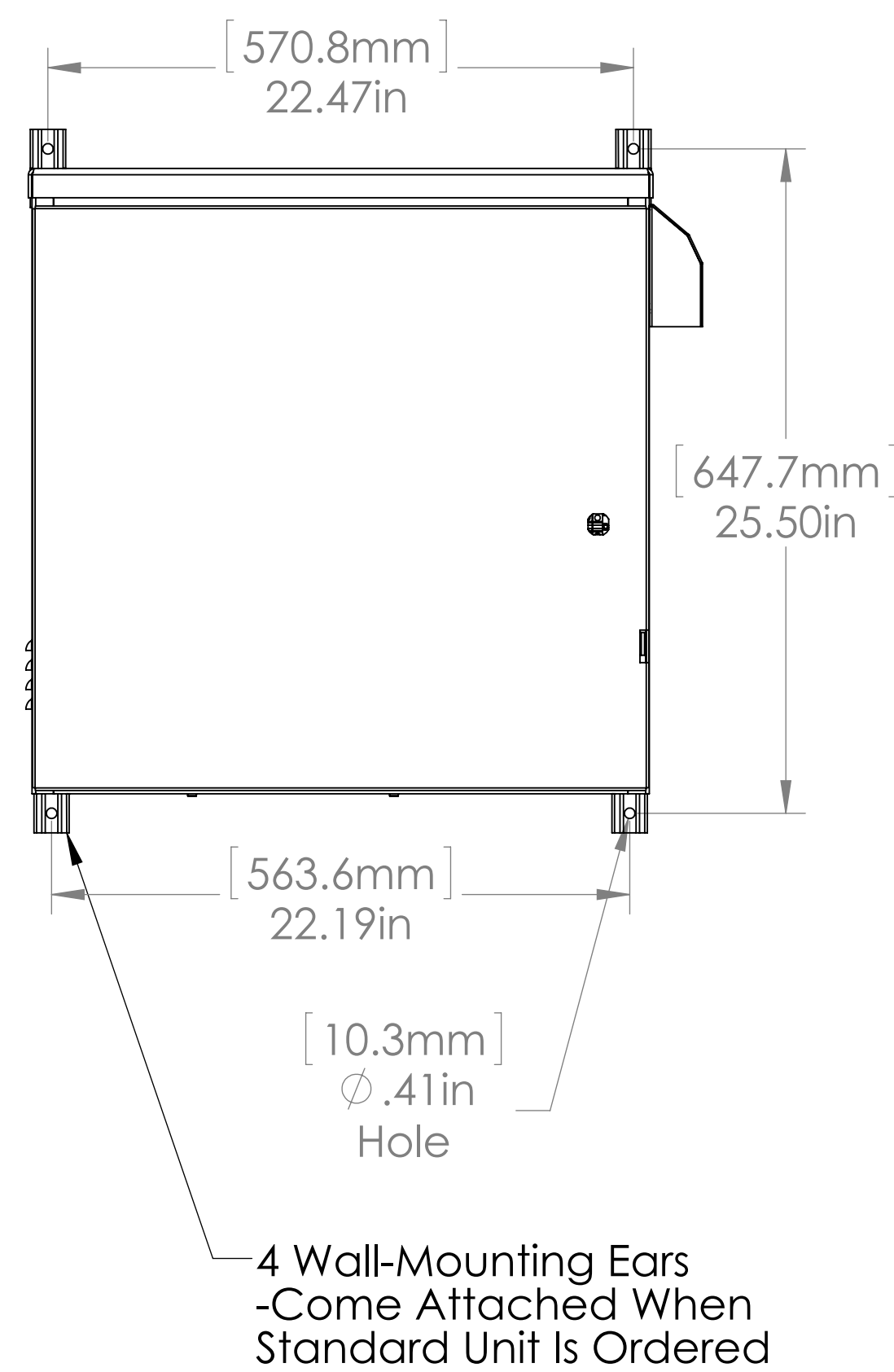
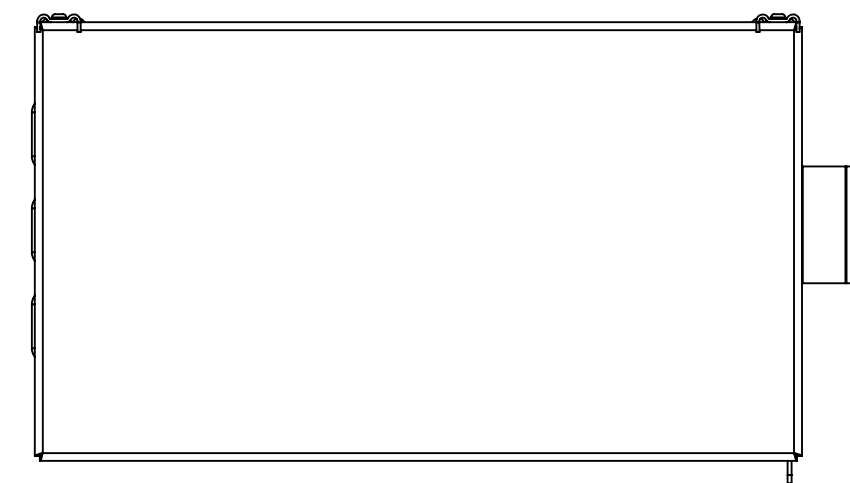


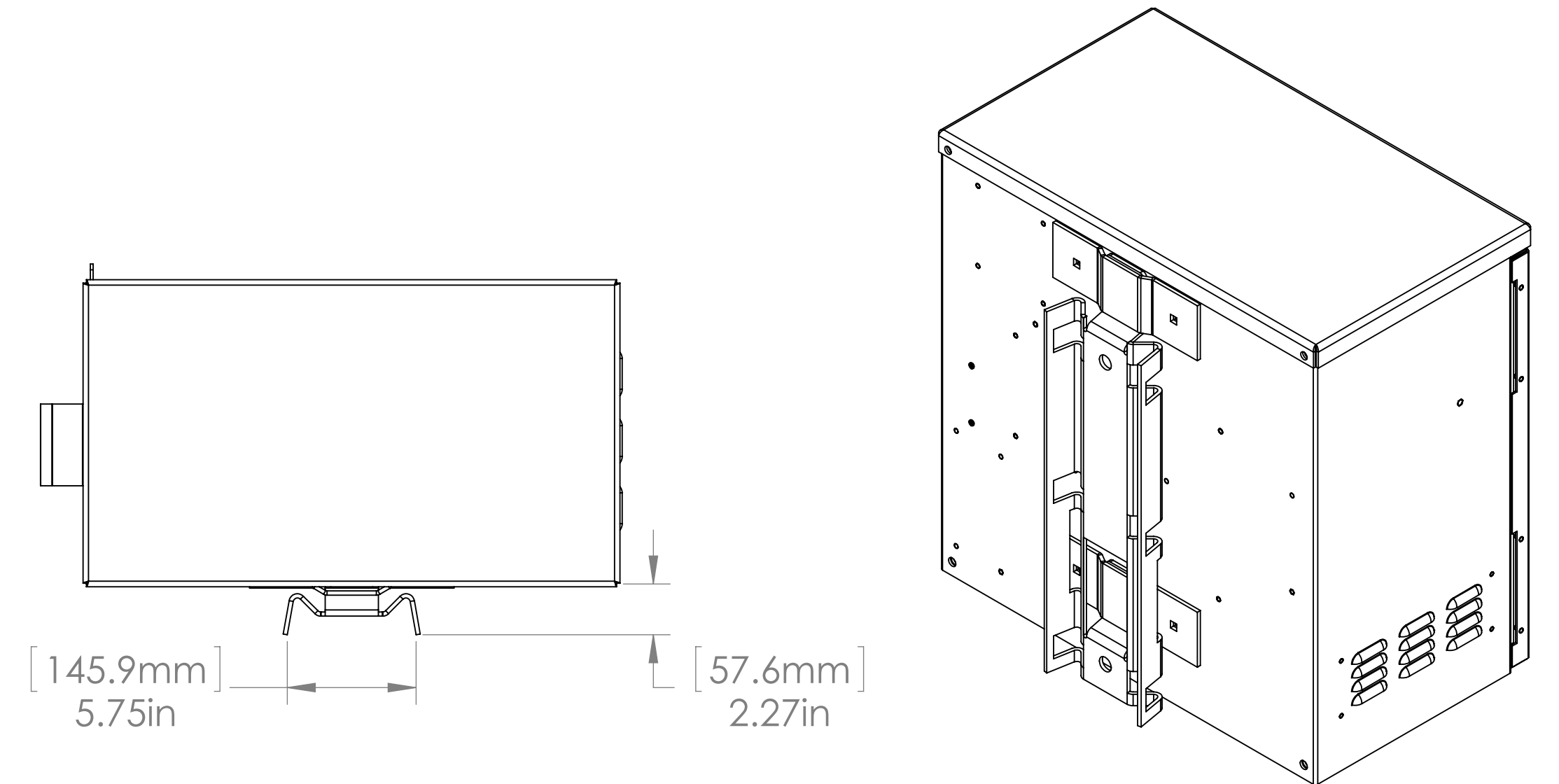
## Pad-Mount Option



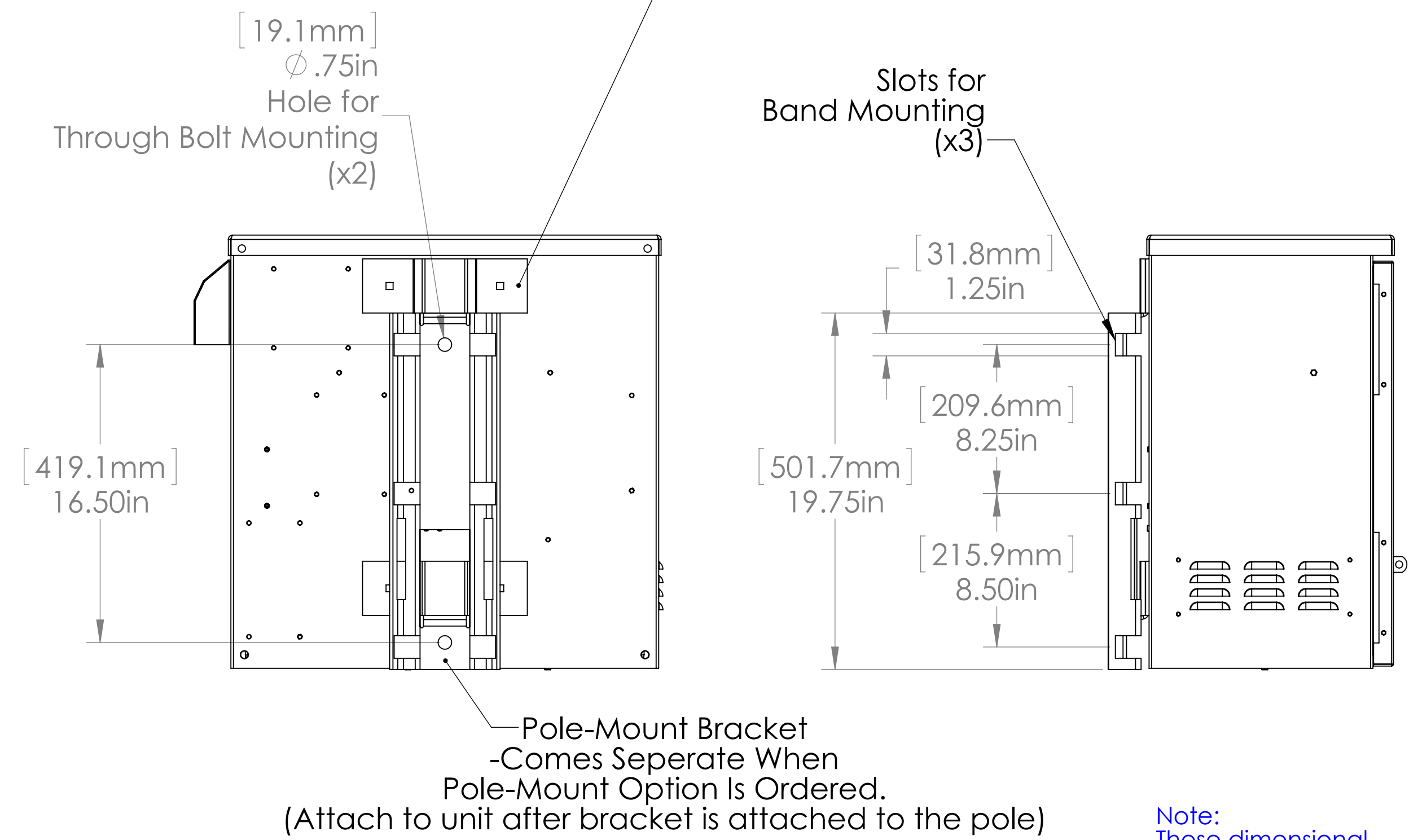
## Wall-Mount Option (Standard)



## Pole-Mount Option



Cabinet Bracket for Pole-Mounting  
-Come Attached When Pole-Mount Option Is Ordered



Note:  
These dimensional drawings include but are not limited to the following TSi Power Products. TSi products  
-Outdoor XUPS-600  
-Outdoor XUPS-1000

PROPRIETARY AND CONFIDENTIAL THE INFORMATION CONTAINED IN THIS DRAWING IS THE SOLE PROPERTY OF TSi POWER CORPORATION. ANY REPRODUCTION IN PART OR AS A WHOLE WITHOUT THE WRITTEN PERMISSION OF TSi POWER CORPORATION IS PROHIBITED.		NAME LANCE BARSKE	DATE 8/13/2015	TSi POWER CORPORATION TITLE: 24" x 24" x 12" Cabinet Mounting Options / Dimensions
COMMENTS: DIMENSIONS ARE IN MILLIMETERS AND INCHES		SIZE D	Rev. 3	
		SCALE: 1:6 DO NOT SCALE DRAWING		SHEET 1 OF 1