

XUPS *Outdoor UPS with Voltage Regulation*



| Single Phase 600 VA - 3 kVA |

Ensuring continuous uninterrupted power for your mission critical loads, requires a carefully designed and reliable **Uninterruptible Power Supply (UPS) product.**

The challenge gets tougher when your loads are installed in harsh outdoor environments, where dust, extreme temperatures and humidity are often present.

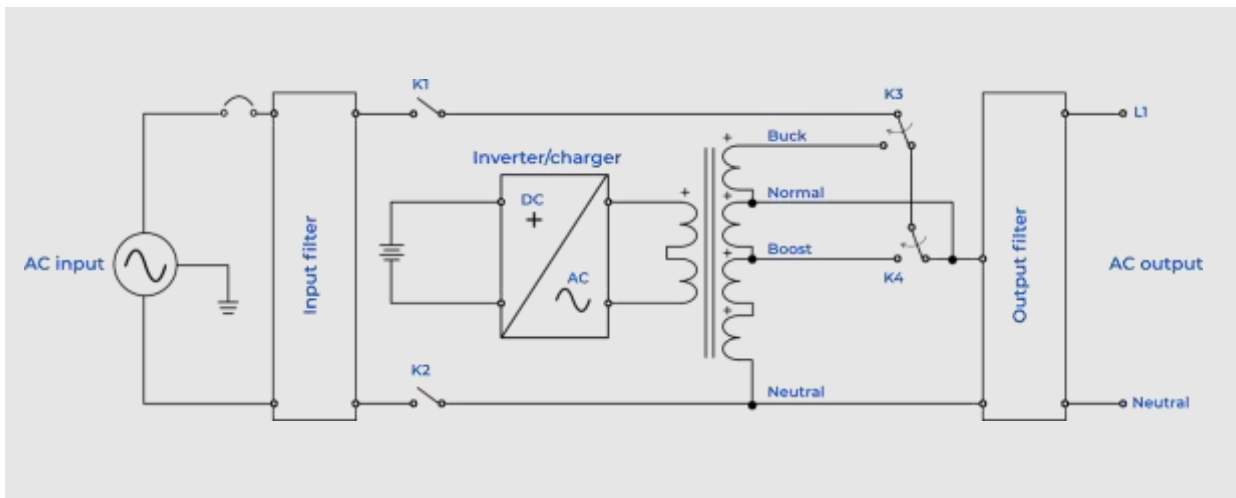


TSI Power, with more than 20 years designing and installing power protection products, specialized in outdoor UPS products. Thousands of outdoor UPS products are installed and proven in many mission critical sites globally.

XUPS Outdoor UPS with Voltage Regulation

TSI Power’s outdoor XUPS is a series of line interactive Uninterruptible Power Supplies (UPS), equipped with wide-temperature, pure lead, gel batteries and housed in a weather-protected enclosure. It offers line-interactive automatic voltage regulation, over/under voltage protection, surge protection with heavy duty noise filtering, communications capability and optional extended battery backup.

XUPS Block Diagram



Features and Benefits	
<i>Built-in automatic voltage regulation enables a wide-input voltage window to deliver power while preventing unnecessary battery drain.</i>	<i>The XUPS uses wide temperature, pure lead, gel batteries and internal cooling fan to extend battery life and protect electronic components.</i>
<i>Precise output current limiting permits start of induction motors and other difficult loads.</i>	<i>Internal bypass switch provides power if UPS fails and prevents unnecessary shutdown of connected equipment.</i>
<i>Cabinet can be pad, pole or wall mounted for utmost mounting flexibility.</i>	<i>Rugged enclosures to withstand harsh environments.</i>
<i>Designed to UL 60950-22 standard for outdoor equipment with UL- 50E rain - tested enclosure.</i>	<i>Heavy-duty surge protection and noise filtering protects load and UPS.</i>
<i>The XUPS is easy to repair because internal circuit board assemblies are connectorized.</i>	<i>The XUPS includes a two-year limited warranty.</i>
<i>Conformal coating of electronic boards for moisture resistance</i>	<i>Quiet - ideal for use in locations with noise ordinances.</i>

Type of XUPS

The XUPS family of products consists of five different groups, that are designed for various power rating, back up time and mounting options.

	<p style="text-align: right;">Compact</p> <p>Dimension (W x H x D) 16.5 x 20.5 x 9.5" (419 x 521 x 241 mm) [W x H x D]</p> <p>Power range 500 – 1540 W</p> <p>Runtime range 12 – 32 minutes</p> <p>Mounting option Wall, Pole</p>
	<p style="text-align: right;">Plus</p> <p>Dimension (W x H x D) 24.0 x 24.0 x 12.0" (610 x 610 x 305 mm) [W x H x D]</p> <p>Power range 500 – 1050 W</p> <p>Runtime range 29 minutes – 1 hour 27 minutes</p> <p>Mounting option Wall, Pole, Pad</p>
	<p style="text-align: right;">Extended</p> <p>Dimension (W x H x D) 24.0 x 24.0 x 17.1" (610 x 610 x 434 mm) [W x H x D]</p> <p>Power range 500 – 2250 W</p> <p>Runtime range 38 minutes – 5 hours 9 minutes</p> <p>Mounting option Wall, Pole, Pad</p>
	<p style="text-align: right;">Large</p> <p>Dimension (W x H x D) 28.8 x 24.0 x 17.1" (732 x 610 x 434 mm) [W x H x D]</p> <p>Power range 500 – 2250 W</p> <p>Runtime range 56 minutes – 7 hours 28 minutes</p> <p>Mounting option Wall, Pole, Pad</p>
	<p style="text-align: right;">XL</p> <p>Dimension (W x H x D) 36.0 x 36.0 x 13.5" (914 x 914 x 343 mm)</p> <p>Power range 500 – 2250 W</p> <p>Runtime range 2 hours 23 minutes - 15 hours 27 minutes</p> <p>Mounting option Wall, Pole, Pad</p>

Compact

115V, 60 Hz

Technical Specifications*

Model	XUPS-600-0220	XUPS-1000-0220	XUPS-1500-0120	XUPS-2200-0120
-------	---------------	----------------	----------------	----------------

AC Input

Nominal voltage	115 V, 60 Hz			
Operating voltage	96 V - 136 V (without transferring to inverter)			
Frequency range	57 - 63 Hz			
Current at 96 V and max charging current	8.2 A	12 A	15 A	20 A
Input Circuit Breaker rating	10 A	15 A	15 A	20 A
Surge voltage withstand rating	ANSI/IEEE: 6 kV, 1.2 x 50 us / 3kA, 8 x 20 us combination waveform			
Remnant voltage	L-N: 450V & L-G: 300V			

AC Output

Power	500 W	840 W	1050 W	1540 W
Maximum current	4.3 A	7.3 A	9.1 A	13 A
Voltage 120 V / 230 V system	115 V ± 8%			
Crest factor	3:1			
Waveform and THD	Sine wave, < 3% THD with linear load			
Power efficiency (under full load conditions)	Line: 97% Inverter: 85%	Line: 97% Inverter: 85%	Line: 97% Inverter: 87%	Line: 97% Inverter: 87%
Transfer time	¼ to ½ cycle (typical)			

Battery

Type x quantity	8GU1 x 2	8GU1 x 2	NP18-12 x 4	NP18-12 x 4
Battery circuit breaker	30 A	60 A	40 A	60 A
Temperature range fully charged °F / °C	-4° to +140° F / -20° to +60° C (-40° to +140° F / -40° to +60° C with optional battery heater)			
Battery heater pad	BH5	BH5	2 x BH5	2 x BH5
Rated load runtime @ 25° C	34 min	14 min	13 min	8 min
Recharge time to 90 %	6 hr	6 hr	6 hr	6 hr

Mechanical

Enclosure	Light gray powder coat aluminum cabinet with swing out front door, NEMA 3R / IP 44 rated			
Dimensions	W: 16.5" / 419 mm x H: 20.5" / 521 mm x D: 9.5" / 241 mm			
Weight with batteries lbs(kg)	95 (43)	110 (50)	110 (50)	130 (59)
Mounting	Wall-Mount: (with w/6 mounting feet); Pole-Mount: (with Pole-Mount Bracket PM9)			

Environmental

Operating Temperature Range	14° to +113° F (-10° to +45° C)			
Protection Against Moisture and Dust	Circuit boards are conformal coated			
Installation environment	Sun shade over north facing enclosure required to avoid solar heating (Not included). Enclosure must be located at least 2 km from ocean			

Safety

Safety listing	ETL/cETL	ETL/cETL	ETL/cETL	-
----------------	----------	----------	----------	---

Warranty

Two-year limited warranty on parts and labor; One-year manufacturer warranty on batteries.

***NOTE: Due to continuous product improvement, specifications are subject to change without notice.**

Compact

230V, 50 Hz

Technical Specifications*

Model	XUPS-600-3220	XUPS-1000-3220	XUPS-1500-3120	XUPS-2200-3120
-------	---------------	----------------	----------------	----------------

AC Input

Nominal voltage	230 V, 50 Hz			
Operating voltage	192 V - 272 V (without transferring to inverter)			
Frequency range	47 – 53 Hz			
Current at 192 V and max charging current	4.1 A	5.9 A	7.3 A	9.9 A
Input Circuit Breaker rating	5 A	10 A	10 A	15 A
Surge voltage withstand rating	ANSI/IEEE: 6 kV, 1.2 x 50 us / 3kA, 8 x 20 us combination waveform			
Remnant voltage	L-N: 450V & L-G: 300V			

AC Output

Power	500 W	840 W	1050 W	1540 W
Maximum current	2.2 A	3.7 A	4.6 A	6.7 A
Voltage	230 V ± 8%			
Crest factor	3:1			
Waveform and THD	Sine wave, < 3% THD with linear load			
Power efficiency (under full load conditions)	Line: 97% Inverter: 85%	Line: 97% Inverter: 85%	Line: 97% Inverter: 87%	Line: 97% Inverter: 87%
Transfer time	¼ to ½ cycle (typical)			

Battery

Type x quantity	8GU1 x 2	8GU1 x 2	NP18-18 x 4	NP18-18 x 4
Battery circuit breaker	30 A	60 A	40 A	60 A
Temperature range fully charged °F / °C	-4° to +140° F / -20° to +60° C (-40° to +140° F / -40° to +60° C with optional battery heater)			
Battery heater pad	BH6	BH6	2 x BH6	2 x BH6
Rated load runtime @ 25° C	34 min	14 min	13 min	8 min
Recharge time to 90 %	6 hr	6 hr	6 hr	6 hr

Mechanical

Enclosure	Light gray powder coat aluminum cabinet with swing out front door, NEMA 3R / IP 44 rated			
Dimensions	W: 16.5" / 419 mm x H: 20.5" / 521 mm x D: 9.5" / 241 mm			
Weight with batteries lbs(kg)	95 (43)	110 (50)	110 (50)	130 (59)
Mounting	Wall-Mount: (with w/6 mounting feet); Pole-Mount: (with Pole-Mount Bracket PM9)			

Environmental

Operating Temperature Range	14° to +113° F (-10° to +45° C)			
Protection Against Moisture and Dust	Circuit boards are conformal coated			
Installation environment	Sun shade over north facing enclosure required to avoid solar heating (Not included). Enclosure must be located at least 2 km from ocean			

Safety

Safety listing	-	-	-	-
----------------	---	---	---	---

Warranty

Two-year limited warranty on parts and labor; One-year manufacturer warranty on batteries.

***NOTE: Due to continuous product improvement, specifications are subject to change without notice.**

Compact**240V, 60 Hz****Technical Specifications***

Model	XUPS-600-4220	XUPS-1000-4220	XUPS-1500-4120	XUPS-2200-4120
--------------	----------------------	-----------------------	-----------------------	-----------------------

AC Input

Nominal voltage	240 V, 60 Hz			
Operating voltage	200 V - 284 V (without transferring to inverter)			
Frequency range	57 – 63 Hz			
Current at 200 V and max charging current	4.0 A	5.7 A	7.0 A	9.5 A
Input Circuit Breaker rating	5 A	10 A	10 A	15 A
Surge voltage withstand rating	ANSI/IEEE: 6 kV, 1.2 x 50 us / 3kA, 8 x 20 us combination waveform			
Remnant voltage	L-N: 450V & L-G: 300V			

AC Output

Power	500 W	840 W	1050 W	1540 W
Maximum current	2.2 A	3.7 A	4.6 A	6.7 A
Voltage	240 V ± 8%			
Crest factor	3:1			
Waveform and THD	Sine wave, < 3% THD with linear load			
Power efficiency (under full load conditions)	Line: 97% Inverter: 85%	Line: 97% Inverter: 85%	Line: 97% Inverter: 87%	Line: 97% Inverter: 87%
Transfer time	¼ to ½ cycle (typical)			

Battery

Type x quantity	8GU1 x 2	8GU1 x 2	NP18-18 x 4	NP18-18 x 4
Battery circuit breaker	30 A	60 A	40 A	60 A
Temperature range fully charged °F / °C	-4° to +140° F / -20° to +60° C (-40° to +140° F / -40° to +60° C with optional battery heater)			
Battery heater pad	BH6	BH6	2 x BH6	2 x BH6
Rated load runtime @ 25° C	34 min	14 min	13 min	8 min
Recharge time to 90 %	6 hr	6 hr	6 hr	6 hr

Mechanical

Enclosure	Light gray powder coat aluminum cabinet with swing out front door, NEMA 3R / IP 44 rated			
Dimensions	W: 16.5" / 419 mm x H: 20.5" / 521 mm x D: 9.5" / 241 mm			
Weight with batteries lbs(kg)	95 (43)	110 (50)	110 (50)	130 (59)
Mounting	Wall-Mount: (with w/6 mounting feet); Pole-Mount: (with Pole-Mount Bracket PM9)			

Environmental

Operating Temperature Range	14° to +113° F (-10° to +45° C)			
Protection Against Moisture and Dust	Circuit boards are conformal coated			
Installation environment	Sun shade over north facing enclosure required to avoid solar heating (Not included). Enclosure must be located at least 2 km from ocean			

Safety

Safety listing	-	-	-	--
-----------------------	---	---	---	----

Warranty

Two-year limited warranty on parts and labor; One-year manufacturer warranty on batteries.

***NOTE: Due to continuous product improvement, specifications are subject to change without notice.**

Plus

115V, 60 Hz

Technical Specifications*

Model	XUPS-600-0340	XUPS-1000-0340	XUPS-1500-0340
-------	---------------	----------------	----------------

AC Input

Nominal voltage	115 V, 60 Hz		
Operating voltage	96 V - 136 V (without transferring to inverter)		
Frequency range	57 - 63 Hz		
Current at 96 V and max charging current	8.6 A	12 A	15 A
Input Circuit Breaker rating	10 A	15 A	15 A
Surge voltage withstand rating	ANSI/IEEE: 6 kV, 1.2 x 50 us / 3kA, 8 x 20 us combination waveform		
Remnant voltage	L-N: 450V & L-G: 300V		

AC Output

Power	500 W	840 W	1050 W
Maximum current	4.3 A	7.3 A	9.1 A
Voltage	115 V ± 8%		
Crest factor	3: 1		
Waveform and THD	Sine wave, < 3% THD with linear load		
Power efficiency (under full load conditions)	Line: 97% Inverter: 85%	Line: 97% Inverter: 85%	Line: 97% Inverter: 87%
Transfer time	¼ to ½ cycle (typical)		

Battery

Type x quantity	8GU1 x 4	8GU1 x 4	8GU1 x 4
Battery circuit breaker	30 A	60 A	40 A
Temperature range fully charged °F / °C	-4° to +140° F / -20° to +60° C (-40° to +140° F / -40° to +60° C with optional battery heater)		
Battery heater pad	2 x BH5	2 x BH5	2 x BH5
Rated load runtime @ 25° C	1 hr 36 min	40 min	33 min
Recharge time to 90 %	10 hr		

Mechanical

Enclosure	Light gray powder coat aluminum cabinet with swing out front door, NEMA 3R / IP 44 rated		
Dimensions	W: 24.0" / 610 mm x H: 24.0" / 610 mm x D: 13.8" / 350 mm		
Weight with batteries lbs(kg)	170 (77)	170 (77)	180 (82)
Mounting	Wall-Mount: (with w/6 mounting feet); Pole-Mount: (with Pole-mount bracket PM1) Pad-mount: (with Pad-mount bracket PAD1)		

Environmental

Operating Temperature Range	14° to +113° F (-10° to +45° C)		
Protection Against Moisture and Dust	Circuit boards are conformal coated		
Installation environment	Sun shade over north facing enclosure required to avoid solar heating (Not included). Enclosure must be located at least 2 km from ocean		

Safety

Safety listing	ETL/cETL	ETL/cETL	ETL/cETL
----------------	----------	----------	----------

Warranty

Two-year limited warranty on parts and labor; One-year manufacturer warranty on batteries.

***NOTE: Due to continuous product improvement, specifications are subject to change without notice.**

Plus

230V, 50 Hz

Technical Specifications*

Model	XUPS-600-3340	XUPS-1000-3340	XUPS-1500-3340
AC Input			
Nominal voltage	230 V, 50 Hz		
Operating voltage	192 V - 272 V (without transferring to inverter)		
Frequency range	47 - 53 Hz		
Current at 192 V and max charging current	4.3 A	6.1 A	7.3 A
Input Circuit Breaker rating	5 A	10 A	10 A
Surge voltage withstand rating	ANSI/IEEE: 6 kV, 1.2 x 50 us / 3kA, 8 x 20 us combination waveform		
Remnant voltage	L-N: 450V & L-G: 300V		
AC Output			
Power	500 W	840 W	1050 W
Maximum current	2.2 A	3.7 A	4.6 A
Voltage	230 V ± 8%		
Crest factor	3: 1		
Waveform and THD	Sine wave, < 3% THD with linear load		
Power efficiency (under full load conditions)	Line: 97% Inverter: 85%	Line: 97% Inverter: 85%	Line: 97% Inverter: 87%
Transfer time	¼ to ½ cycle (typical)		
Battery			
Type x quantity	8GU1 x 4	8GU1 x 4	8GU1 x 4
Battery circuit breaker	30 A	60 A	40 A
Temperature range fully charged °F / °C	-4° to +140° F / -20° to +60° C (-40° to +140° F / -40° to +60° C with optional battery heater)		
Battery heater pad	2 x BH6	2 x BH6	2 x BH6
Rated load runtime @ 25° C	1 hr 36 min	40 min	33 min
Recharge time to 90 %	10 hr		
Mechanical			
Enclosure	Light gray powder coat aluminum cabinet with swing out front door, NEMA 3R / IP 44 rated		
Dimensions	W: 24.0" / 610 mm x H: 24.0" / 610 mm x D: 13.8" / 350 mm		
Weight with batteries lbs(kg)	170 (77)	170 (77)	180 (82)
Mounting	Wall-Mount: (with w/6 mounting feet); Pole-Mount: (with Pole-mount bracket PM1) Pad-mount: (with Pad-mount bracket PAD1)		
Environmental			
Operating Temperature Range	14° to +113° F (-10° to +45° C)		
Protection Against Moisture and Dust	Circuit boards are conformal coated		
Installation environment	Sun shade over north facing enclosure required to avoid solar heating (Not included). Enclosure must be located at least 2 km from ocean		
Safety			
Safety listing	-	-	-
Warranty			
Two-year limited warranty on parts and labor; One-year manufacturer warranty on batteries.			

*NOTE: Due to continuous product improvement, specifications are subject to change without notice.

Plus

240V, 60 Hz

Technical Specifications*

Model	XUPS-600-4340	XUPS-1000-4340	XUPS-1500-4340
-------	---------------	----------------	----------------

AC Input

Nominal voltage	240 V, 50 Hz		
Operating voltage	200 V - 284 V (without transferring to inverter)		
Frequency range	47 - 53 Hz		
Current at 200 V and max charging current	4.1 A	5.9 A	7.0 A
Input Circuit Breaker rating	5 A	10 A	10 A
Surge voltage withstand rating	ANSI/IEEE: 6 kV, 1.2 x 50 us / 3kA, 8 x 20 us combination waveform		
Remnant voltage	L-N: 450V & L-G: 300V		

AC Output

Power	500 W	840 W	1050 W
Maximum current	2.1 A	3.5 A	4.4 A
Voltage	240 V ± 8%		
Crest factor	3: 1		
Waveform and THD	Sine wave, < 3% THD with linear load		
Power efficiency (under full load conditions)	Line: 97% Inverter: 85%	Line: 97% Inverter: 85%	Line: 97% Inverter: 87%
Transfer time	¼ to ½ cycle (typical)		

Battery

Type x quantity	8GU1 x 4	8GU1 x 4	8GU1 x 4
Battery circuit breaker	30 A	60 A	40 A
Temperature range fully charged °F / °C	-4° to +140° F / -20° to +60° C (-40° to +140° F / -40° to +60° C with optional battery heater)		
Battery heater pad	2 x BH5	2 x BH5	2 x BH5
Rated load runtime @ 25° C	1 hr 36 min	40 min	33 min
Recharge time to 90 %	10 hr		

Mechanical

Enclosure	Light gray powder coat aluminum cabinet with swing out front door, NEMA 3R / IP 44 rated		
Dimensions	W: 24.0" / 610 mm x H: 24.0" / 610 mm x D: 13.8" / 350 mm		
Weight with batteries lbs(kg)	170 (77)	170 (77)	180 (82)
Mounting	Wall-Mount: (with w/6 mounting feet); Pole-Mount: (with Pole-mount bracket PM1) Pad-mount: (with Pad-mount bracket PAD1)		

Environmental

Operating Temperature Range	14° to +113° F (-10° to +45° C)		
Protection Against Moisture and Dust	Circuit boards are conformal coated		
Installation environment	Sun shade over north facing enclosure required to avoid solar heating (Not included). Enclosure must be located at least 2 km from ocean		

Safety

Safety listing	-	-	-
----------------	---	---	---

Warranty

Two-year limited warranty on parts and labor; One-year manufacturer warranty on batteries.

***NOTE: Due to continuous product improvement, specifications are subject to change without notice.**

Extended

115V, 60 Hz

Technical Specifications*

Model	XUPS-600-0560	XUPS-1000-0560	XUPS-1500-0560	XUPS-2200-0560	XUPS-3000-0560
-------	---------------	----------------	----------------	----------------	----------------

AC Input

Nominal voltage	115 V, 60 Hz				
Operating voltage	96 V - 136 V (without transferring to inverter)				
Frequency range	57 – 63 Hz				
Current at 96 V and max charging current	8.6 A	12 A	15 A	20 A	27 A
Input Circuit Breaker rating	10 A	15 A	15 A	20 A	30 A
Surge voltage withstand rating	ANSI/IEEE: 6 kV, 1.2 x 50 us / 3kA, 8 x 20 us combination waveform				
Remnant voltage	L-N: 450V & L-G: 300V				

AC Output

Power	500 W	840 W	1050 W	1540 W	2250 W
Maximum current	4.3 A	7.3 A	9.1 A	13 A	20 A
Voltage	115 V ± 8%				
Crest factor	3:1				
Waveform and THD	Sine wave, < 3% THD with linear load				
Power efficiency (under full load conditions)	Line: 97% Inverter: 85%	Line: 97% Inverter: 85%	Line: 97% Inverter: 87%	Line: 97% Inverter: 87%	Line: 97% Inverter: 87%
Transfer time	¼ to ½ cycle (typical)				

Battery

Type x quantity	8G24 x 4	8G24 x 4	8G24 x 4	8G24 x 4	8G24 x 4
Battery circuit breaker	30 A	60 A	40 A	60 A	80 A
Temperature range fully charged °F / °C	-4° to +140° F / -20° to +60° C (-40° to +140° F / -40° to +60° C with optional battery heater)				
Battery heater pad	2 x BH5	2 x BH5	2 x BH5	2 x BH5	2 x BH5
Rated load runtime @ 25° C	4 hr 18 min	2 hr 24 min	2 hr	1 hr 12 min	38 min
Recharge time to 90 %	23 hr				

Mechanical

Enclosure	Light gray powder coat aluminum cabinet with swing out front door, NEMA 3R / IP 44 rated				
Dimensions	W: 24.0" / 610 mm x H: 24.0" / 610 mm x D: 17.1" / 434 mm				
Weight with batteries lbs(kg)	290 (132)	290 (132)	290 (132)	300 (136)	320 (145)
Mounting	Wall-Mount: (with w/6 mounting feet); Pole-Mount: (with Pole-Mount Bracket PM1) Pad-mount: (with Pad-mount bracket PAD2)				

Environmental

Operating Temperature Range	14° to +113° F (-10° to +45° C)				
Protection Against Moisture and Dust	Circuit boards are conformal coated				
Installation environment	Sun shade over north facing enclosure required to avoid solar heating (Not included). Enclosure must be located at least 2 km from ocean				

Safety

Safety listing	ETL/cETL	ETL/cETL	ETL/cETL	ETL/cETL	ETL/cETL
----------------	----------	----------	----------	----------	----------

Warranty

Two-year limited warranty on parts and labor; One-year manufacturer warranty on batteries.

***NOTE: Due to continuous product improvement, specifications are subject to change without notice.**

Extended

230V, 50 Hz

Technical Specifications*

Model	XUPS-600-3560	XUPS-1000-3560	XUPS-1500-3560	XUPS-2200-3560	XUPS-3000-3560
-------	---------------	----------------	----------------	----------------	----------------

AC Input

Nominal voltage	230 V, 50 Hz				
Operating voltage	192 V - 272 V (without transferring to inverter)				
Frequency range	47 – 53 Hz				
Current at 192 V and max charging current	4.3 A	6.1 A	7.3 A	9.9 A	14 A
Input Circuit Breaker rating	5 A	10 A	10 A	15 A	15 A
Surge voltage withstand rating	ANSI/IEEE: 6 kV, 1.2 x 50 us / 3kA, 8 x 20 us combination waveform				
Remnant voltage	L-N: 450V & L-G: 300V				

AC Output

Power	500 W	840 W	1050 W	1540 W	2250 W
Maximum current	2.2 A	3.7 A	4.6 A	6.7 A	9.8 A
Voltage	230 V ± 8%				
Crest factor	3:1				
Waveform and THD	Sine wave, < 3% THD with linear load				
Power efficiency (under full load conditions)	Line: 97% Inverter: 85%	Line: 97% Inverter: 85%	Line: 97% Inverter: 87%	Line: 97% Inverter: 87%	Line: 97% Inverter: 87%
Transfer time	¼ to ½ cycle (typical)				

Battery

Type x quantity	8G24 x 4	8G24 x 4	8G24 x 4	8G24 x 4	8G24 x 4
Battery circuit breaker	30 A	60 A	40 A	60 A	80 A
Temperature range fully charged °F / °C	-4° to +140° F / -20° to +60° C (-40° to +140° F / -40° to +60° C with optional battery heater)				
Battery heater pad	2 x BH6	2 x BH6	2 x BH6	2 x BH6	2 x BH6
Rated load runtime @ 25° C	4 hr 18 min	2 hr 24 min	2 hr	1 hr 12 min	38 min
Recharge time to 90 %	23 hr				

Mechanical

Enclosure	Light gray powder coat aluminum cabinet with swing out front door, NEMA 3R / IP 44 rated				
Dimensions	W: 24.0" / 610 mm x H: 24.0" / 610 mm x D: 17.1" / 434 mm				
Weight with batteries lbs(kg)	290 (132)	290 (132)	290 (132)	300 (136)	320 (145)
Mounting	Wall-Mount: (with w/6 mounting feet); Pole-Mount: (with Pole-Mount Bracket PM1) Pad-mount: (with Pad-mount bracket PAD2)				

Environmental

Operating Temperature Range	14° to +113° F (-10° to +45° C)				
Protection Against Moisture and Dust	Circuit boards are conformal coated				
Installation environment	Sun shade over north facing enclosure required to avoid solar heating (Not included). Enclosure must be located at least 2 km from ocean				

Safety

Safety listing	-	-	-	-	-
----------------	---	---	---	---	---

Warranty

Two-year limited warranty on parts and labor; One-year manufacturer warranty on batteries.

***NOTE: Due to continuous product improvement, specifications are subject to change without notice.**

Extended

240V, 60 Hz

Technical Specifications*

Model	XUPS-600-4560	XUPS-1000-4560	XUPS-1500-4560	XUPS-2200-4560	XUPS-3000-4560
-------	---------------	----------------	----------------	----------------	----------------

AC Input

Nominal voltage	240 V, 60 Hz				
Operating voltage	200 V - 284 V (without transferring to inverter)				
Frequency range	57 – 63 Hz				
Current at 200 V and max charging current	4.1 A	5.9 A	7.0 A	9.5 A	13 A
Input Circuit Breaker rating	5 A	10 A	10 A	15 A	15 A
Surge voltage withstand rating	ANSI/IEEE: 6 kV, 1.2 x 50 us / 3kA, 8 x 20 us combination waveform				
Remnant voltage	L-N: 450V & L-G: 300V				

AC Output

Power	500 W	840 W	1050 W	1540 W	2250 W
Maximum current	2.1 A	3.5 A	4.4 A	6.4 A	9.4 A
Voltage	240 V ± 8%				
Crest factor	3:1				
Waveform and THD	Sine wave, < 3% THD with linear load				
Power efficiency (under full load conditions)	Line: 97% Inverter: 85%	Line: 97% Inverter: 85%	Line: 97% Inverter: 87%	Line: 97% Inverter: 87%	Line: 97% Inverter: 87%
Transfer time	¼ to ½ cycle (typical)				

Battery

Type x quantity	8G24 x 4	8G24 x 4	8G24 x 4	8G24 x 4	8G24 x 4
Battery circuit breaker	30 A	60 A	40 A	60 A	80 A
Temperature range fully charged °F / °C	-4° to +140° F / -20° to +60° C (-40° to +140° F / -40° to +60° C with optional battery heater)				
Battery heater pad	2 x BH6	2 x BH6	2 x BH6	2 x BH6	2 x BH6
Rated load runtime @ 25° C	4 hr 18 min	2 hr 24 min	2 hr	1 hr 12 min	38 min
Recharge time to 90 %	23 hr				

Mechanical

Enclosure	Light gray powder coat aluminum cabinet with swing out front door, NEMA 3R / IP 44 rated				
Dimensions	W: 24.0" / 610 mm x H: 24.0" / 610 mm x D: 17.1" / 434 mm				
Weight with batteries lbs(kg)	290 (132)	290 (132)	290 (132)	300 (136)	320 (145)
Mounting	Wall-Mount: (with w/6 mounting feet); Pole-Mount: (with Pole-Mount Bracket PM1) Pad-mount: (with Pad-mount bracket PAD2)				

Environmental

Operating Temperature Range	14° to +113° F (-10° to +45° C)				
Protection Against Moisture and Dust	Circuit boards are conformal coated				
Installation environment	Sun shade over north facing enclosure required to avoid solar heating (Not included). Enclosure must be located at least 2 km from ocean				

Safety

Safety listing	-	-	-	-	-
----------------	---	---	---	---	---

Warranty

Two-year limited warranty on parts and labor; One-year manufacturer warranty on batteries.

***NOTE: Due to continuous product improvement, specifications are subject to change without notice.**

Large

115V, 60 Hz

Technical Specifications*

Model	XUPS-600-0780	XUPS-1000-0780	XUPS-1500-0780	XUPS-2200-0780	XUPS-3000-0780
-------	---------------	----------------	----------------	----------------	----------------

AC Input

Nominal voltage	115 V, 60 Hz				
Operating voltage	96 V - 136 V (without transferring to inverter)				
Frequency range	57 – 63 Hz				
Current at 96 V and max charging current	8.6 A	12 A	15 A	20 A	27 A
Input Circuit Breaker rating	10 A	15 A	15 A	20 A	30 A
Surge voltage withstand rating	ANSI/IEEE: 6 kV, 1.2 x 50 us / 3kA, 8 x 20 us combination waveform				
Remnant voltage	L-N: 450V & L-G: 300V				

AC Output

Power	500 W	840 W	1050 W	1540 W	2250 W
Maximum current	4.3 A	7.3 A	9.1 A	13 A	20 A
Voltage	115 V ± 8%				
Crest factor	3: 1				
Waveform and THD	Sine wave, < 3% THD with linear load				
Power efficiency (under full load conditions)	Line: 97% Inverter: 85%	Line: 97% Inverter: 85%	Line: 97% Inverter: 87%	Line: 97% Inverter: 87%	Line: 97% Inverter: 87%
Transfer time	¼ to ½ cycle (typical)				

Battery

Type x quantity	8G31 x 4	8G31 x 4	8G31 x 4	8G31 x 4	8G31 x 4
Battery circuit breaker	30 A	60 A	40 A	60 A	80 A
Temperature range fully charged °F / °C	-4° to +140° F / -20° to +60° C (-40° to +140° F / -40° to +60° C with optional battery heater)				
Battery heater pad	2 x BH5	2 x BH5	2 x BH5	2 x BH5	2 x BH5
Rated load runtime @ 25° C	6 hr 6 min	3 hr 18 min	2 hr 48 min	1 hr 42 min	1 hr 6 min
Recharge time to 90 %	30 hr				

Mechanical

Enclosure	Light gray powder coat aluminum cabinet with swing out front door, NEMA 3R / IP 44 rated				
Dimensions	W: 28.8" / 732 mm x H: 24.0" / 610 mm x D: 17.1" / 434 mm				
Weight with batteries lbs(kg)	360 (163)	360 (163)	380 (172)	380 (172)	390 (177)
Mounting	Wall-Mount: (with w/6 mounting feet); Pole-Mount: (with Pole-Mount Bracket PM4) Pad-mount: (with Pad-mount bracket PAD2)				

Environmental

Operating Temperature Range	14° to +113° F (-10° to +45° C)				
Protection Against Moisture and Dust	Circuit boards are conformal coated				
Installation environment	Sun shade over north facing enclosure required to avoid solar heating (Not included). Enclosure must be located at least 2 km from ocean				

Safety

Safety listing	ETL/cETL	ETL/cETL	ETL/cETL	ETL/cETL	ETL/cETL
----------------	----------	----------	----------	----------	----------

Warranty

Two-year limited warranty on parts and labor; One-year manufacturer warranty on batteries.

***NOTE: Due to continuous product improvement, specifications are subject to change without notice.**

Large

230V, 50 Hz

Technical Specifications*

Model	XUPS-600-3780	XUPS-1000-3780	XUPS-1500-3780	XUPS-2200-3780	XUPS-3000-3780
-------	---------------	----------------	----------------	----------------	----------------

AC Input

Nominal voltage	230 V, 50 Hz				
Operating voltage	192 V - 272 V (without transferring to inverter)				
Frequency range	47 - 53 Hz				
Current at 192 V and max charging current	4.3 A	6.1 A	7.3 A	9.9 A	14 A
Input Circuit Breaker rating	5 A	10 A	10 A	15 A	15 A
Surge voltage withstand rating	ANSI/IEEE: 6 kV, 1.2 x 50 us / 3kA, 8 x 20 us combination waveform				
Remnant voltage	L-N: 450V & L-G: 300V				

AC Output

Power	500 W	840 W	1050 W	1540 W	2250 W
Maximum current	2.2 A	3.7 A	4.6 A	6.7 A	9.8 A
Voltage	230 V ± 8%				
Crest factor	3:1				
Waveform and THD	Sine wave, < 3% THD with linear load				
Power efficiency (under full load conditions)	Line: 97% Inverter: 85%	Line: 97% Inverter: 85%	Line: 97% Inverter: 87%	Line: 97% Inverter: 87%	Line: 97% Inverter: 87%
Transfer time	¼ to ½ cycle (typical)				

Battery

Type x quantity	8G31 x 4	8G31 x 4	8G31 x 4	8G31 x 4	8G31 x 4
Battery circuit breaker	30 A	60 A	40 A	60 A	80 A
Temperature range fully charged °F / °C	-4° to +140° F / -20° to +60° C (-40° to +140° F / -40° to +60° C with optional battery heater)				
Battery heater pad	2 x BH6	2 x BH6	2 x BH6	2 x BH6	2 x BH6
Rated load runtime @ 25° C	6 hr 6 min	3 hr 18 min	2 hr 48 min	1 hr 42 min	1 hr 6 min
Recharge time to 90 %	30 hr				

Mechanical

Enclosure	Light gray powder coat aluminum cabinet with swing out front door, NEMA 3R / IP 44 rated				
Dimensions	W: 28.8" / 732 mm x H: 24.0" / 610 mm x D: 17.1" / 434 mm				
Weight with batteries lbs(kg)	360 (163)	360 (163)	380 (172)	380 (172)	390 (177)
Mounting	Wall-Mount: (with w/6 mounting feet); Pole-Mount: (with Pole-Mount Bracket PM4) Pad-mount: (with Pad-mount bracket PAD2)				

Environmental

Operating Temperature Range	14° to +113° F (-10° to +45° C)				
Protection Against Moisture and Dust	Circuit boards are conformal coated				
Installation environment	Sun shade over north facing enclosure required to avoid solar heating (Not included). Enclosure must be located at least 2 km from ocean				

Safety

Safety listing	-	-	-	-	-
----------------	---	---	---	---	---

Warranty

Two-year limited warranty on parts and labor; One-year manufacturer warranty on batteries.

***NOTE: Due to continuous product improvement, specifications are subject to change without notice.**

Large

240V, 60 Hz

Technical Specifications*

Model	XUPS-600-4780	XUPS-1000-4780	XUPS-1500-4780	XUPS-2200-4780	XUPS-3000-4780
-------	---------------	----------------	----------------	----------------	----------------

AC Input

Nominal voltage	240 V, 60 Hz				
Operating voltage	200 V - 284 V (without transferring to inverter)				
Frequency range	57 – 63 Hz				
Current at 200 V and max charging current	4.1 A	5.9 A	7.0 A	9.5 A	13 A
Input Circuit Breaker rating	5 A	10 A	10 A	15 A	15 A
Surge voltage withstand rating	ANSI/IEEE: 6 kV, 1.2 x 50 us / 3kA, 8 x 20 us combination waveform				
Remnant voltage	L-N: 450V & L-G: 300V				

AC Output

Power	500 W	840 W	1050 W	1540 W	2250 W
Maximum current	2.1 A	3.5 A	4.4 A	6.4 A	9.4 A
Voltage	240 V ± 8%				
Crest factor	3:1				
Waveform and THD	Sine wave, < 3% THD with linear load				
Power efficiency (under full load conditions)	Line: 97% Inverter: 85%	Line: 97% Inverter: 85%	Line: 97% Inverter: 87%	Line: 97% Inverter: 87%	Line: 97% Inverter: 87%
Transfer time	¼ to ½ cycle (typical)				

Battery

Type x quantity	8G31 x 4	8G31 x 4	8G31 x 4	8G31 x 4	8G31 x 4
Battery circuit breaker	30 A	60 A	40 A	60 A	80 A
Temperature range fully charged °F / °C	-4° to +140° F / -20° to +60° C (-40° to +140° F / -40° to +60° C with optional battery heater)				
Battery heater pad	2 x BH6	2 x BH6	2 x BH6	2 x BH6	2 x BH6
Rated load runtime @ 25° C	6 hr 6 min	3 hr 18 min	2 hr 48 min	1 hr 42 min	1 hr 6 min
Recharge time to 90 %	30 hr				

Mechanical

Enclosure	Light gray powder coat aluminum cabinet with swing out front door, NEMA 3R / IP 44 rated				
Dimensions	W: 28.8" / 732 mm x H: 24.0" / 610 mm x D: 17.1" / 434 mm				
Weight with batteries lbs(kg)	360 (163)	360 (163)	380 (172)	380 (172)	390 (177)
Mounting	Wall-Mount: (with w/6 mounting feet); Pole-Mount: (with Pole-Mount Bracket PM4) Pad-mount: (with Pad-mount bracket PAD2)				

Environmental

Operating Temperature Range	14° to +113° F (-10° to +45° C)				
Protection Against Moisture and Dust	Circuit boards are conformal coated				
Installation environment	Sun shade over north facing enclosure required to avoid solar heating (Not included). Enclosure must be located at least 2 km from ocean				

Safety

Safety listing	-	-	-	-	-
----------------	---	---	---	---	---

Warranty

Two-year limited warranty on parts and labor; One-year manufacturer warranty on batteries.

***NOTE: Due to continuous product improvement, specifications are subject to change without notice.**

XL**115V, 60 Hz****Technical Specifications***

Model	XUPS-600-0890	XUPS-1000-0890	XUPS-1500-0890	XUPS-2200-0890	XUPS-3000-0890
-------	---------------	----------------	----------------	----------------	----------------

AC Input

Nominal voltage	115 V, 60 Hz				
Operating voltage	96 V - 136 V (without transferring to inverter)				
Frequency range	57 – 63 Hz				
Current at 96 V and max charging current	8.6 A	12 A	15 A	20 A	27 A
Input Circuit Breaker rating	10 A	15 A	15 A	20 A	30 A
Surge voltage withstand rating	ANSI/IEEE: 6 kV, 1.2 x 50 us / 3kA, 8 x 20 us combination waveform				
Remnant voltage	L-N: 450V & L-G: 300V				

AC Output

Power	500 W	840 W	1050 W	1540 W	2250 W
Maximum current	4.3 A	7.3 A	9.1 A	13 A	20 A
Voltage 120 V / 230 V system	115 V ± 8%				
Crest factor	3: 1				
Waveform and THD	Sine wave, < 3% THD with linear load				
Power efficiency (under full load conditions)	Line: 97% Inverter: 85%	Line: 97% Inverter: 85%	Line: 97% Inverter: 87%	Line: 97% Inverter: 87%	Line: 97% Inverter: 87%
Transfer time	¼ to ½ cycle (typical)				

Battery

Type x quantity	8G4D x 4	8G4D x 4	8G4D x 4	8G4D x 4	8G4D x 4
Battery circuit breaker	30 A	60 A	40 A	60 A	80 A
Temperature range fully charged °F / °C	-4° to +140° F / -20° to +60° C (-40° to +140° F / -40° to +60° C with optional battery heater)				
Battery heater pad	2 x BH5 Double	2 x BH5 Double	2 x BH5 Double	2 x BH5 Double	2 x BH5 Double
Rated load runtime @ 25° C	12 hr	6 hr 45 min	5 hr 40 min	3 hr 30 min	2 hr 15 min
Recharge time to 90 %	56 hr				

Mechanical

Enclosure	Light gray powder coat aluminum cabinet with swing out front door, NEMA 3R / IP 44 rated				
Dimensions	W: 36.0" / 914 mm x H: 36.0" / 914 mm x D: 13.5" / 343 mm				
Weight with batteries lbs(kg)	680 (308)	680 (308)	680 (308)	680 (308)	710 (322)
Mounting	Wall-Mount: (with w/6 mounting feet); Pole-Mount: (with Pole-Mount Bracket PM3) Pad-mount: (with Pad-mount bracket PAD4)				

Environmental

Operating Temperature Range	14° to +113° F (-10° to +45° C)				
Protection Against Moisture and Dust	Circuit boards are conformal coated				
Installation environment	Sun shade over north facing enclosure required to avoid solar heating (Not included). Enclosure must be located at least 2 km from ocean				

Safety

Safety listing	ETL/cETL	ETL/cETL	ETL/cETL	ETL/cETL	ETL/cETL
-----------------------	----------	----------	----------	----------	----------

Warranty

Two-year limited warranty on parts and labor; One-year manufacturer warranty on batteries.

***NOTE: Due to continuous product improvement, specifications are subject to change without notice.**

XL**230V, 50 Hz****Technical Specifications***

Model	XUPS-600-3890	XUPS-1000-3890	XUPS-1500-3890	XUPS-2200-3890	XUPS-3000-3890
-------	---------------	----------------	----------------	----------------	----------------

AC Input

Nominal voltage	230 V, 50 Hz				
Operating voltage	192 V - 272 V (without transferring to inverter)				
Frequency range	47 – 53 Hz				
Current at 96 V and max charging current	4.7 A	6.5 A	7.6 A	10 A	14 A
Input Circuit Breaker rating	5 A	10 A	10 A	15 A	15 A
Surge voltage withstand rating	ANSI/IEEE: 6 kV, 1.2 x 50 us / 3kA, 8 x 20 us combination waveform				
Remnant voltage	L-N: 450V & L-G: 300V				

AC Output

Power	500 W	840 W	1050 W	1540 W	2250 W
Maximum current	2.2 A	3.7 A	4.6 A	6.7 A	9.8 A
Voltage	230 V ± 8%				
Crest factor	3: 1				
Waveform and THD	Sine wave, < 3% THD with linear load				
Power efficiency (under full load conditions)	Line: 97% Inverter: 85%	Line: 97% Inverter: 85%	Line: 97% Inverter: 87%	Line: 97% Inverter: 87%	Line: 97% Inverter: 87%
Transfer time	¼ to ½ cycle (typical)				

Battery

Type x quantity	8G4D x 4	8G4D x 4	8G4D x 4	8G4D x 4	8G4D x 4
Battery circuit breaker	30 A	60 A	40 A	60 A	80 A
Temperature range fully charged °F / °C	-4° to +140° F / -20° to +60° C (-40° to +140° F / -40° to +60° C with optional battery heater)				
Battery heater pad	2 x BH6 Double	2 x BH6 Double	2 x BH6 Double	2 x BH6 Double	2 x BH6 Double
Rated load runtime @ 25° C	12 hr	6 hr 45 min	5 hr 40 min	3 hr 30 min	2 hr 15 min
Recharge time to 90 %	56 hr				

Mechanical

Enclosure	Light gray powder coat aluminum cabinet with swing out front door, NEMA 3R / IP 44 rated				
Dimensions	W: 36.0" / 914 mm x H: 36.0" / 914 mm x D: 13.5" / 343 mm				
Weight with batteries lbs(kg)	680 (308)	680 (308)	680 (308)	680 (308)	710 (322)
Mounting	Wall-Mount: (with w/6 mounting feet); Pole-Mount: (with Pole-Mount Bracket PM3) Pad-mount: (with Pad-mount bracket PAD4)				

Environmental

Operating Temperature Range	14° to +113° F (-10° to +45° C)				
Protection Against Moisture and Dust	Circuit boards are conformal coated				
Installation environment	Sun shade over north facing enclosure required to avoid solar heating (Not included). Enclosure must be located at least 2 km from ocean				

Safety

Safety listing	-	-	-	-	-
-----------------------	---	---	---	---	---

Warranty

Two-year limited warranty on parts and labor; One-year manufacturer warranty on batteries.

***NOTE: Due to continuous product improvement, specifications are subject to change without notice.**

XL**240V, 60 Hz****Technical Specifications***

Model	XUPS-600-4890	XUPS-1000-4890	XUPS-1500-4890	XUPS-2200-4890	XUPS-3000-4890
-------	---------------	----------------	----------------	----------------	----------------

AC Input

Nominal voltage	240 V, 60 Hz				
Operating voltage	200 V - 284 V (without transferring to inverter)				
Frequency range	57 – 63 Hz				
Current at 96 V and max charging current	4.5 A	6.3 A	7.3 A	9.9 A	14 A
Input Circuit Breaker rating	5 A	10 A	10 A	15 A	15 A
Surge voltage withstand rating	ANSI/IEEE: 6 kV, 1.2 x 50 us / 3kA, 8 x 20 us combination waveform				
Remnant voltage	L-N: 450V & L-G: 300V				

AC Output

Power	500 W	840 W	1050 W	1540 W	2250 W
Maximum current	2.1 A	3.5 A	4.4 A	6.4 A	9.4 A
Voltage	240 V ± 8%				
Crest factor	3: 1				
Waveform and THD	Sine wave, < 3% THD with linear load				
Power efficiency (under full load conditions)	Line: 97% Inverter: 85%	Line: 97% Inverter: 85%	Line: 97% Inverter: 87%	Line: 97% Inverter: 87%	Line: 97% Inverter: 87%
Transfer time	¼ to ½ cycle (typical)				

Battery

Type x quantity	8G4D x 4	8G4D x 4	8G4D x 4	8G4D x 4	8G4D x 4
Battery circuit breaker	30 A	60 A	40 A	60 A	80 A
Temperature range fully charged °F / °C	-4° to +140° F / -20° to +60° C (-40° to +140° F / -40° to +60° C with optional battery heater)				
Battery heater pad	2 x BH6 Double	2 x BH6 Double	2 x BH6 Double	2 x BH6 Double	2 x BH6 Double
Rated load runtime @ 25° C	12 hr	6 hr 45 min	5 hr 40 min	3 hr 30 min	2 hr 15 min
Recharge time to 90 %	56 hr				

Mechanical

Enclosure	Light gray powder coat aluminum cabinet with swing out front door, NEMA 3R / IP 44 rated				
Dimensions	W: 36.0" / 914 mm x H: 36.0" / 914 mm x D: 13.5" / 343 mm				
Weight with batteries lbs(kg)	680 (308)	680 (308)	680 (308)	680 (308)	710 (322)
Mounting	Wall-Mount: (with w/6 mounting feet); Pole-Mount: (with Pole-Mount Bracket PM3) Pad-mount: (with Pad-mount bracket PAD4)				

Environmental

Operating Temperature Range	14° to +113° F (-10° to +45° C)				
Protection Against Moisture and Dust	Circuit boards are conformal coated				
Installation environment	Sun shade over north facing enclosure required to avoid solar heating (Not included). Enclosure must be located at least 2 km from ocean				

Safety

Safety listing	-	-	-	-	-
-----------------------	---	---	---	---	---

Warranty

Two-year limited warranty on parts and labor; One-year manufacturer warranty on batteries.

***NOTE: Due to continuous product improvement, specifications are subject to change without notice.**

Model Number Selection Guide

XUPS-□□□□-□-□-□-□

Options

0	Standard
1-9	Options
A-Z	Options

Standard cabinet size

0	Non-standard type
2	Compact (OD. approx. = 16.5"W x 20.5"H x 9.5"D)
4	Plus (OD. approx. = 24"Wx24"Hx13.75"D)
6	Extended (OD. approx. = 24"Wx24"Hx17.13"D)
8	Large (OD. approx. = 28"Wx24"Hx17.13"D)
9	XL (OD. approx. = 36"Wx36"Hx13.75"D)

Standard Battery Type / Battery quantity

0	Non-standard type
1	NP18-12 / quantity: 4
2	8GU1 / quantity: 2
3	8GU1 / quantity: 4
4	8G24FT / quantity: 2
5	8G24FT / quantity: 4
6	8G31DT / quantity: 2
7	8G31DT / quantity: 4
8	8G4D LTP / quantity: 4

Rated AC voltage and frequency

0	115 V, 60 Hz
1	208 V, 60 Hz
2	220 V, 60 Hz
3	230 V, 50 Hz
4	240 V, 60 Hz
5	230 V, 60 Hz
6	115 V, 50 Hz
7	127 V, 60 Hz

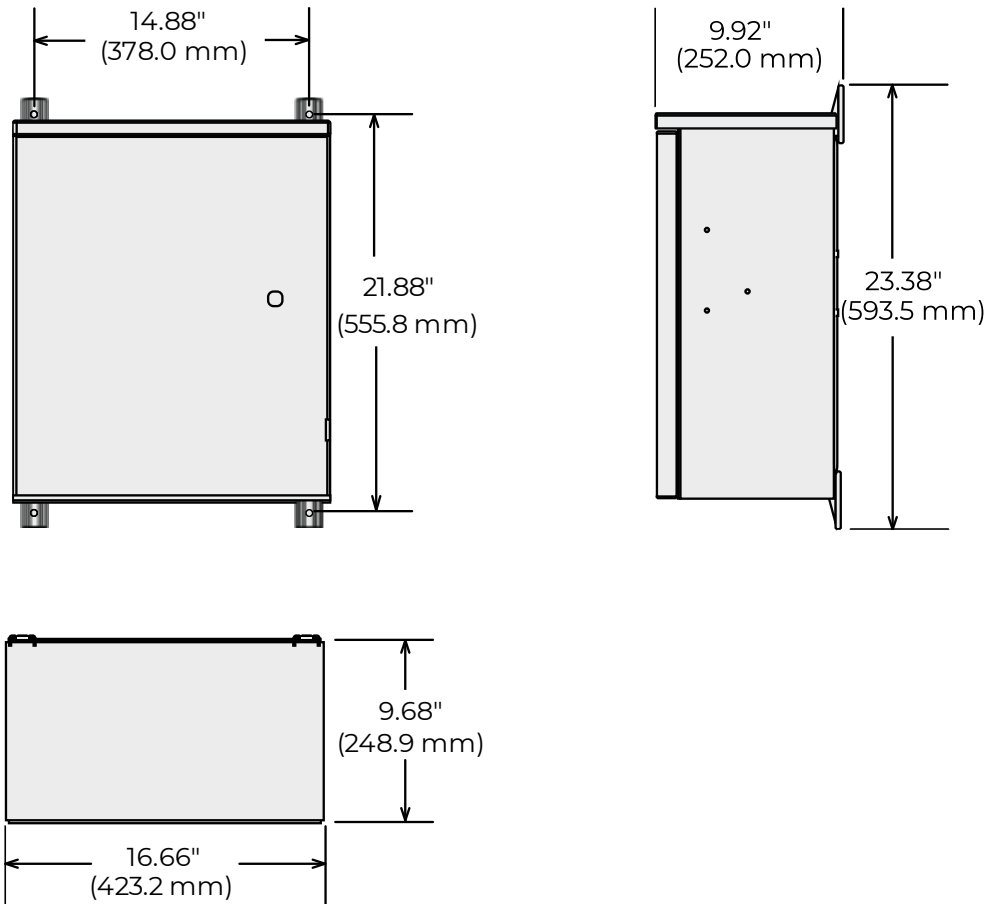
Series

600	500 W with 24 VDC Battery Bank
1000	840 W with 24 VDC Battery Bank
1200	1200 W with 48 VDC Battery Bank
1500	1050 W with 48 VDC Battery Bank
2200	1540 W with 48 VDC Battery Bank
3000	2250 W with 48 VDC Battery Bank

Dimensions

Dimensions shown are for standard wall mount type. For other mounting, please contact us for details.

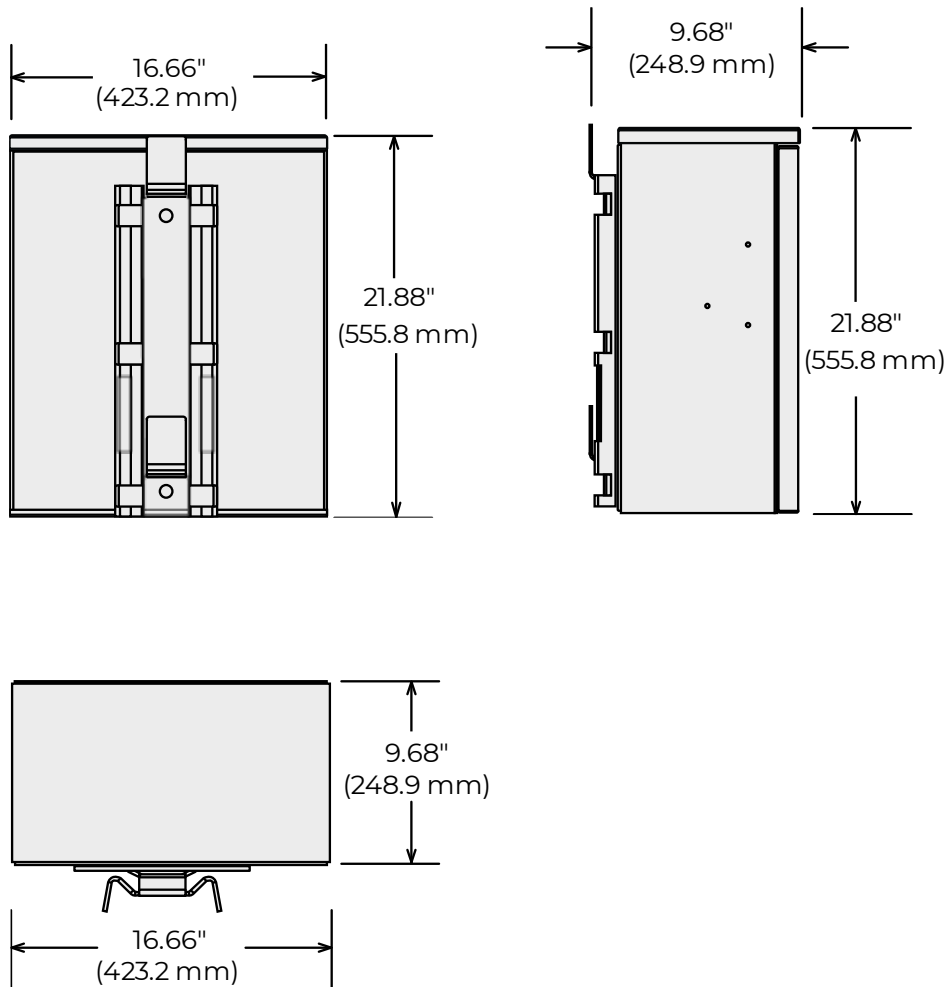
Compact



Dimensions

Dimensions shown are for pole mount type. For other mounting, please contact us for details.

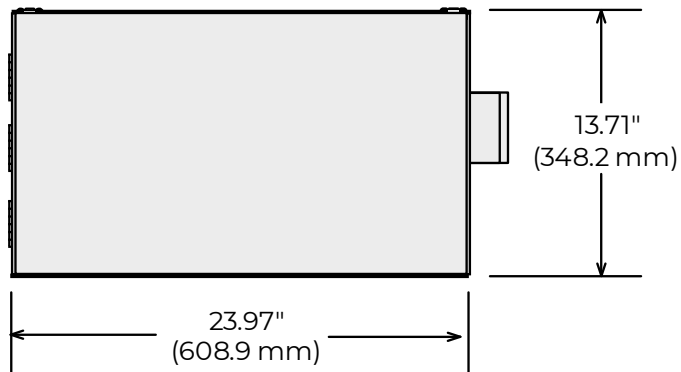
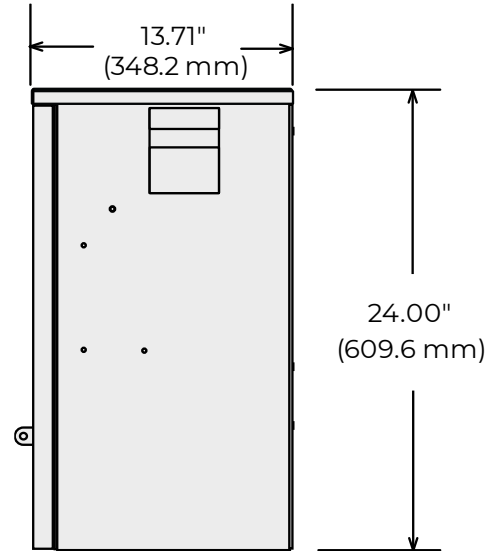
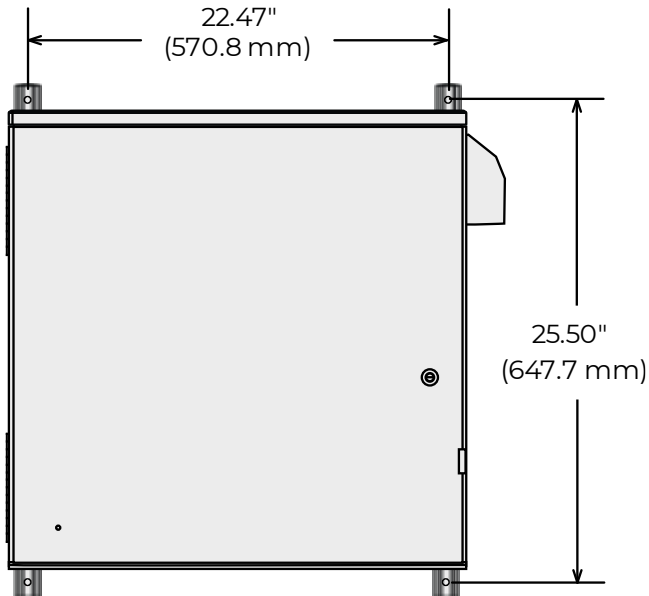
Compact



Dimensions

Dimensions shown are for standard wall mount type.

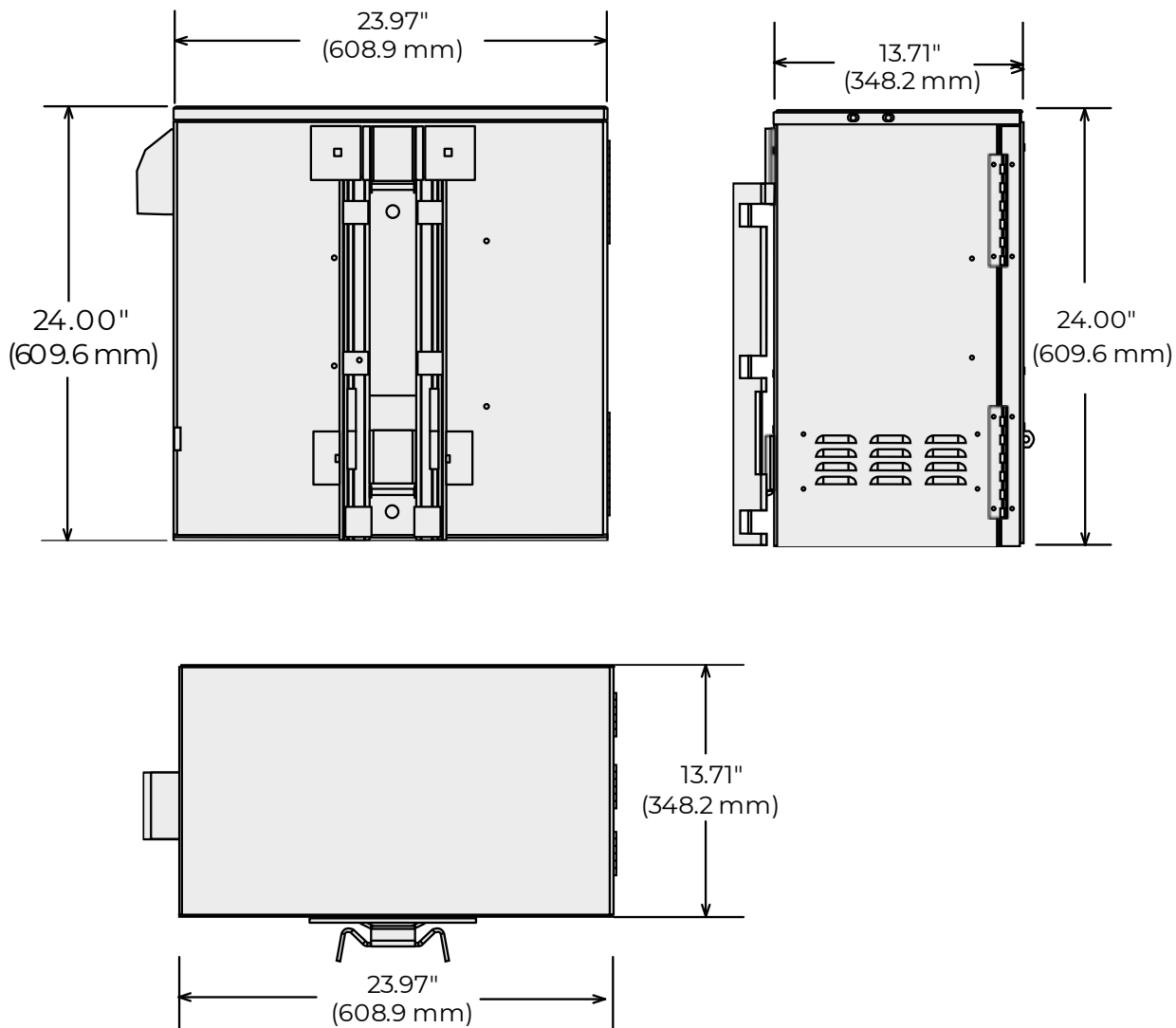
Plus



Dimensions

Dimensions shown are for pole mount type.

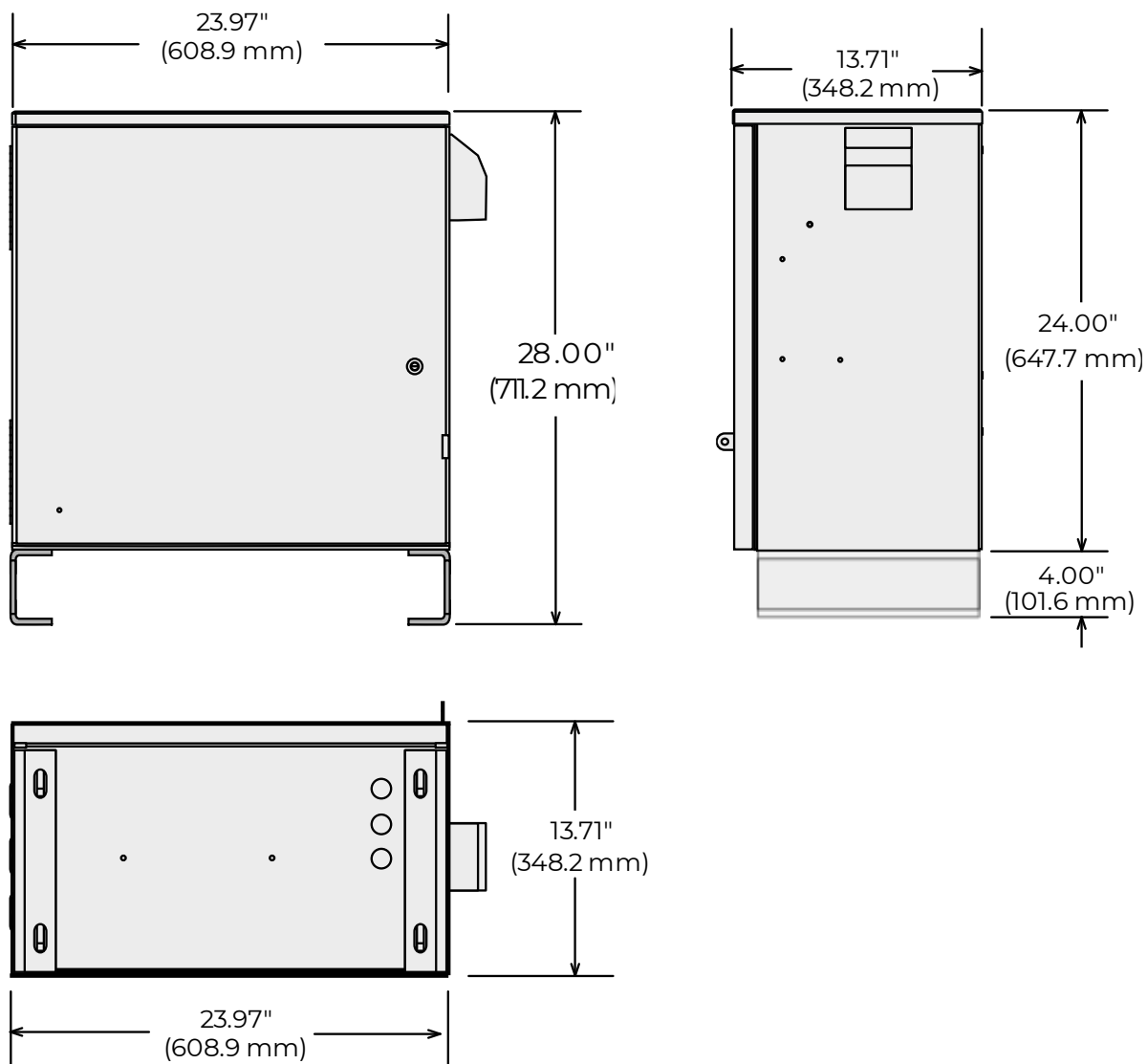
Plus



Dimensions

Dimensions shown are for pad mount type.

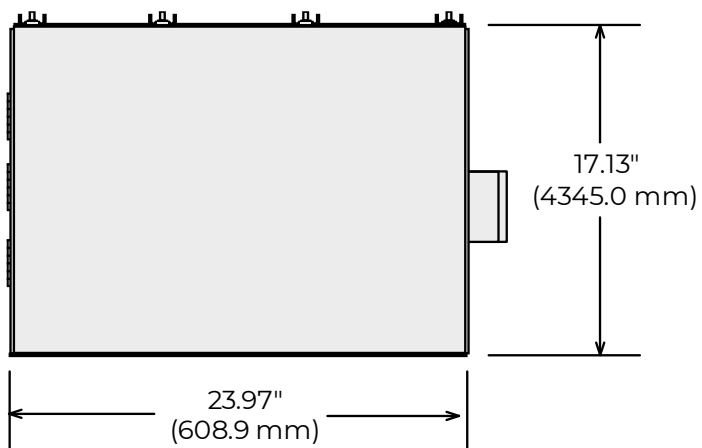
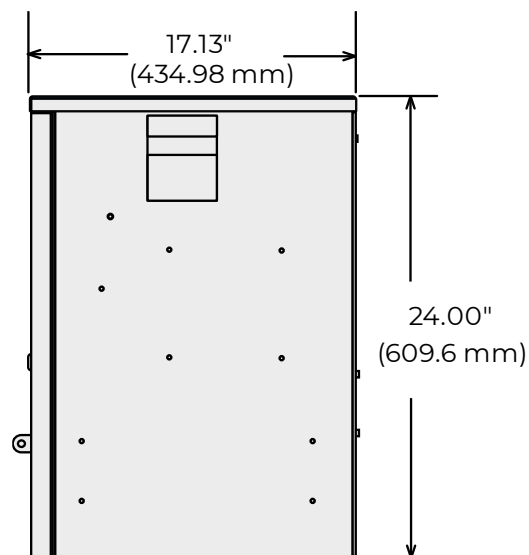
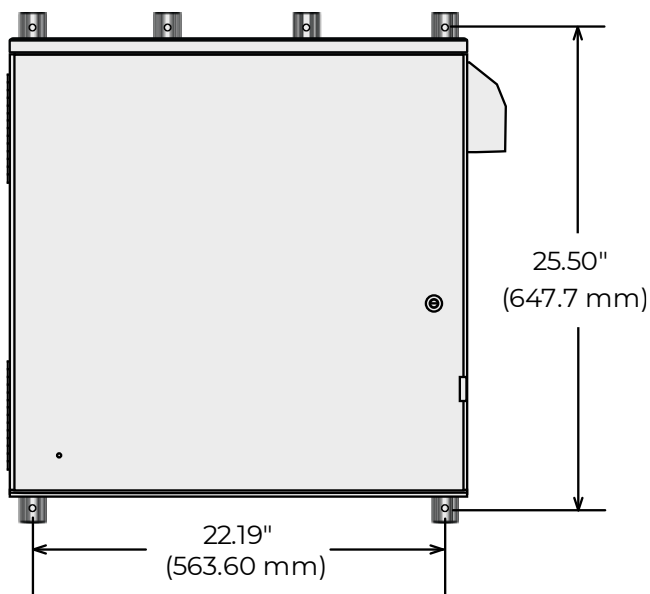
Plus



Dimensions

Dimensions shown are for standard wall mount type.

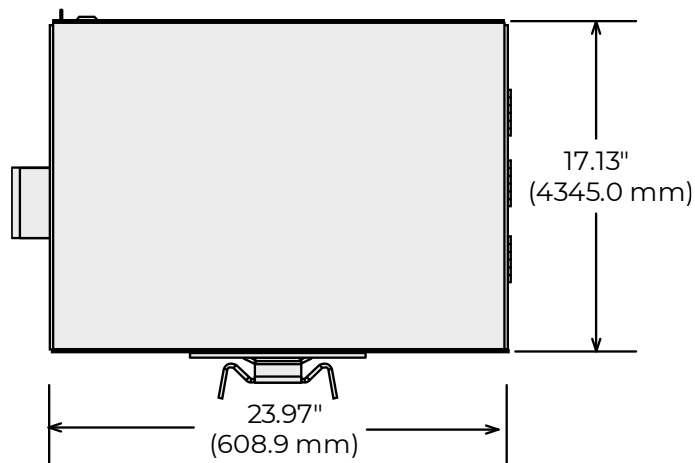
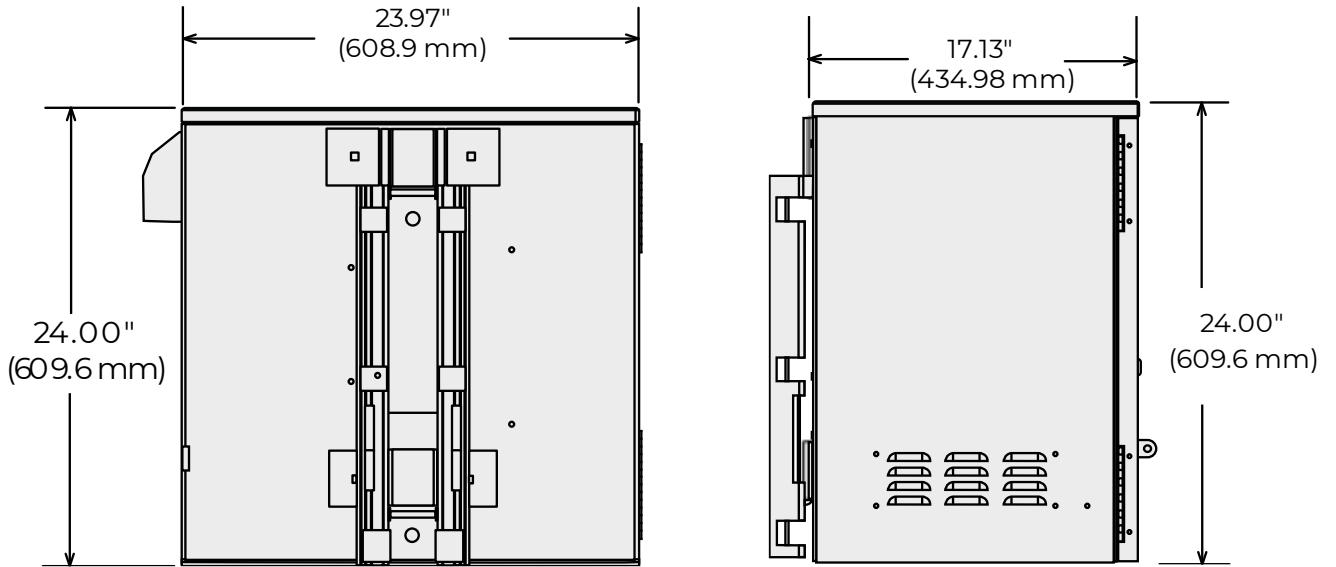
Extended



Dimensions

Dimensions shown are pole mount type. For other mounting, please contact us for details

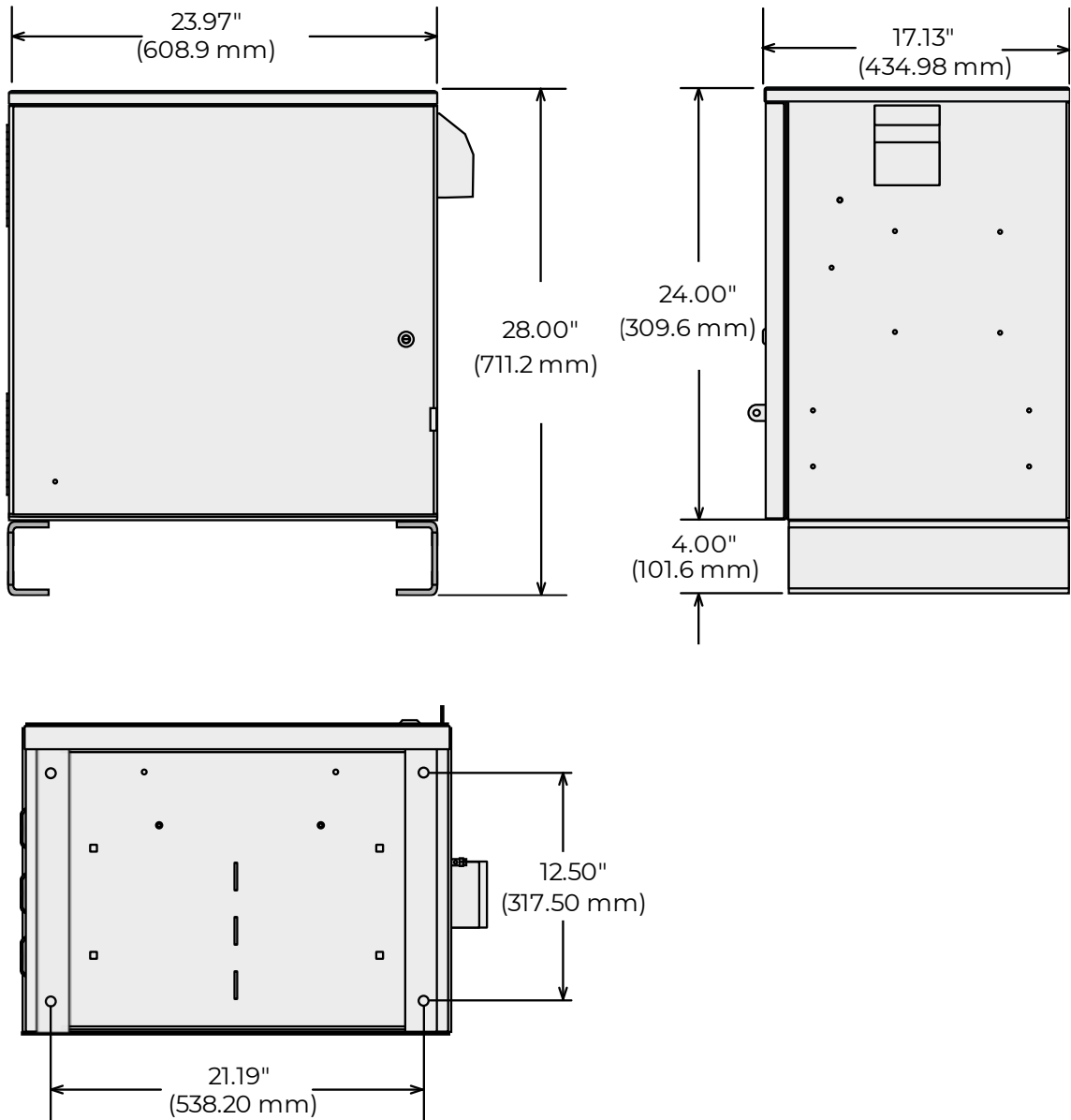
Extended



Dimensions

Dimensions shown are pad mount type. For other mounting, please contact us for details

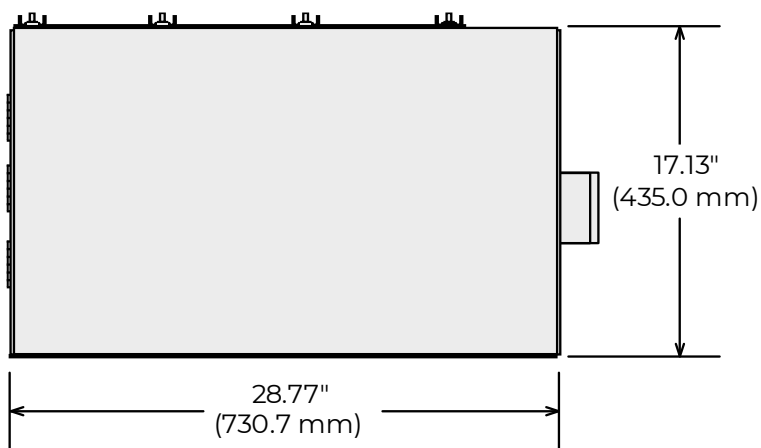
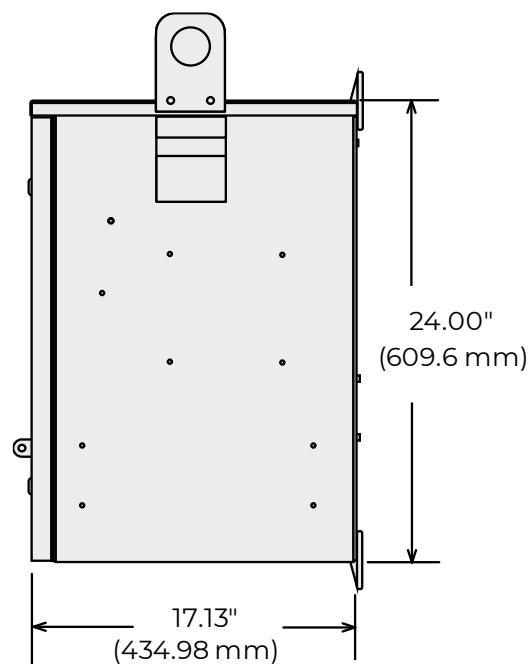
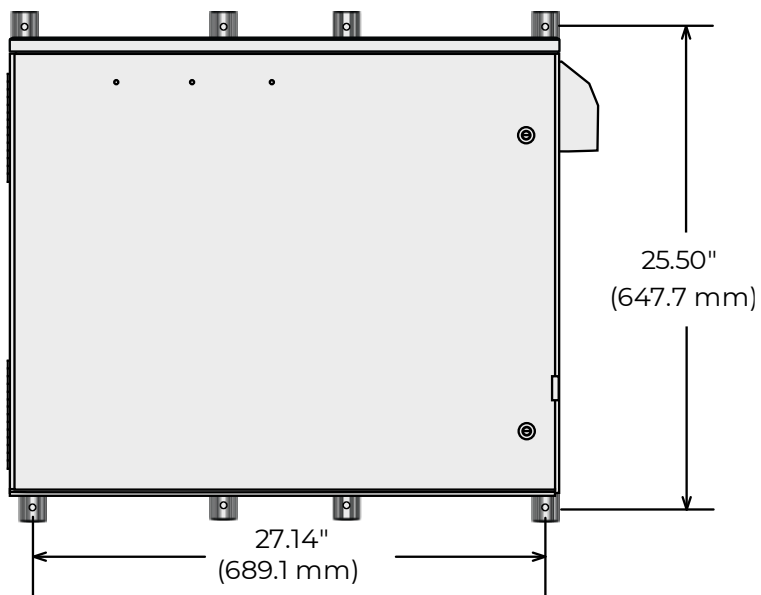
Extended



Dimensions

Dimensions shown are for standard wall mount type. For other mounting, please contact us for details

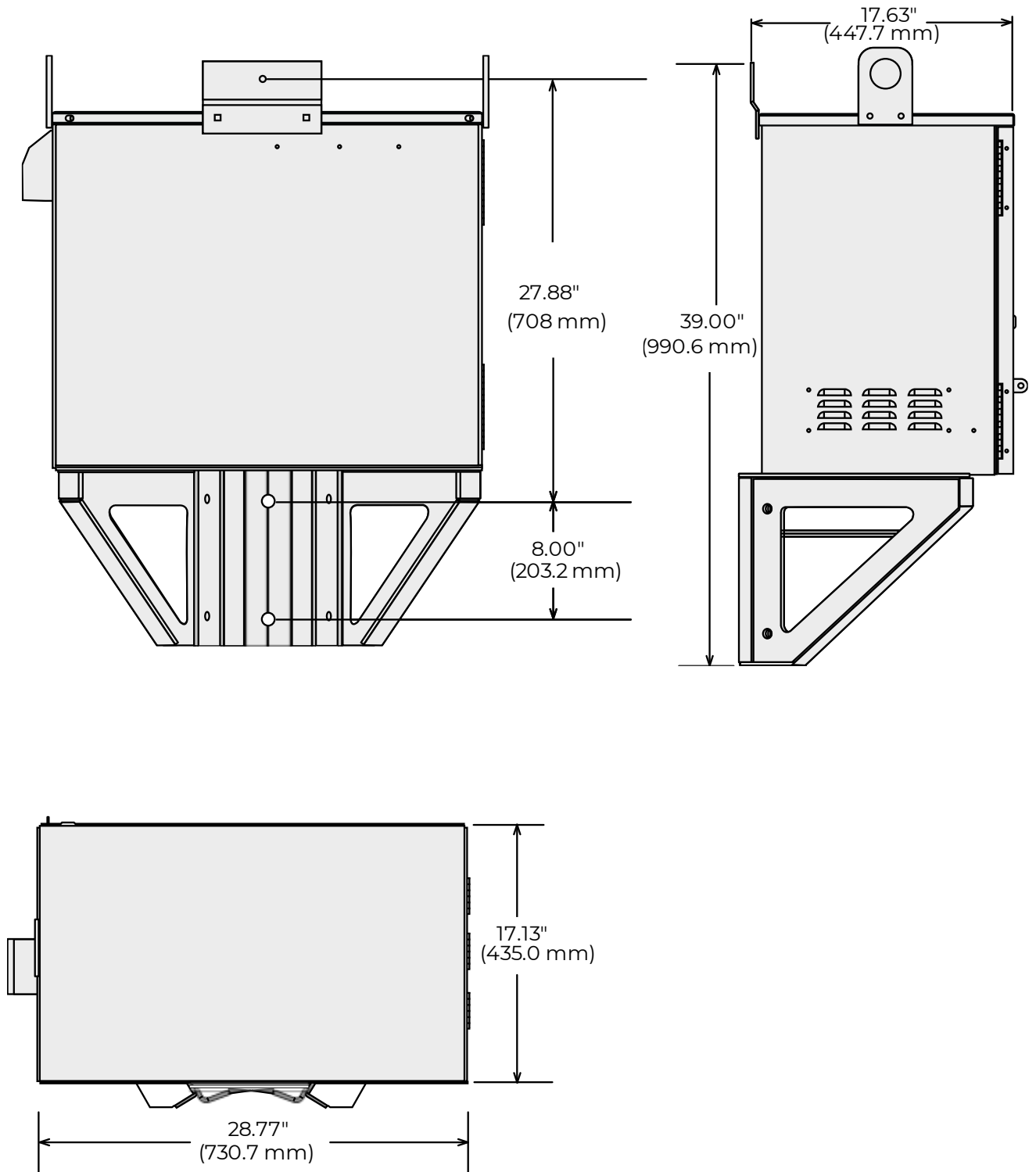
Large



Dimensions

Dimensions shown are for pole mount type. For other mounting, please contact us for details

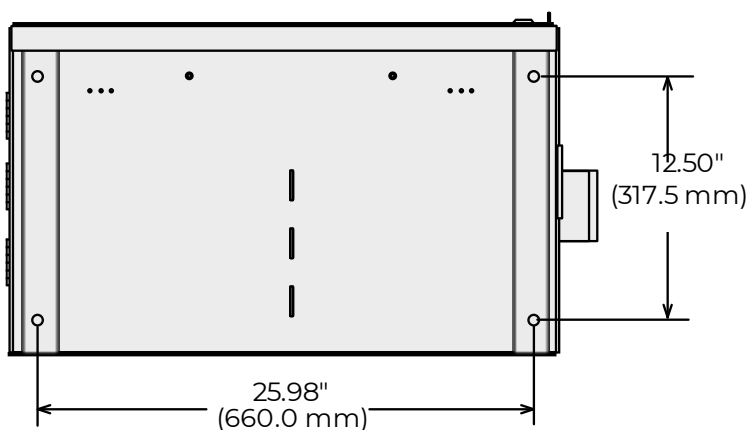
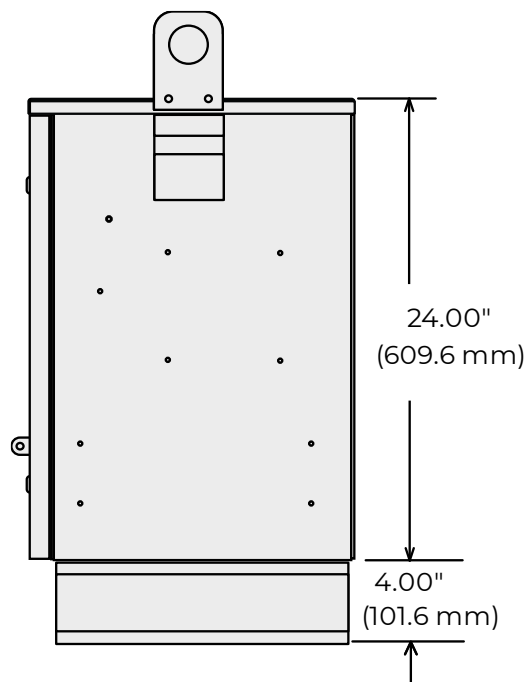
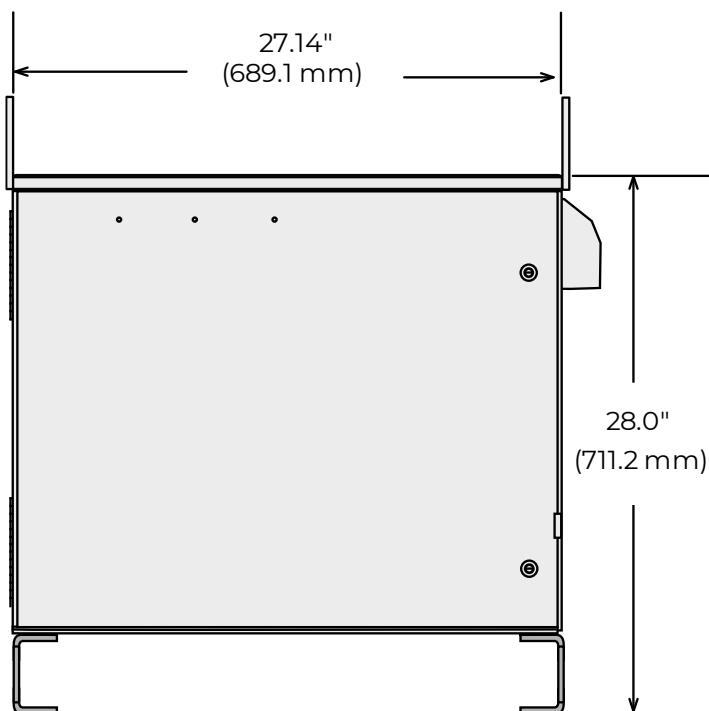
Large



Dimensions

Dimensions shown are for pad mount type. For other mounting, please contact us for details

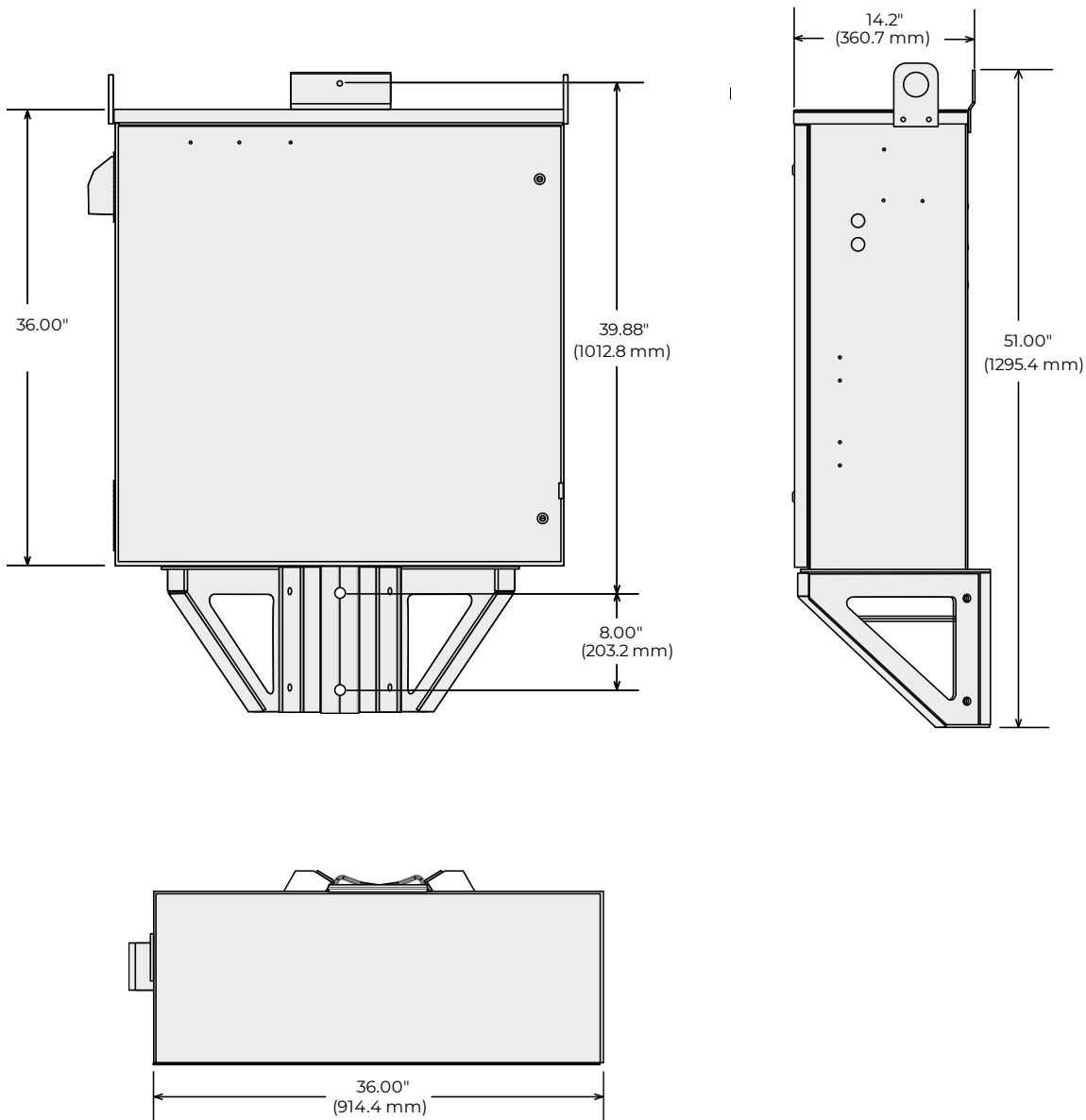
Large



Dimensions

Dimensions shown are for standard wall and pole mount type. For other mounting, please contact us for details

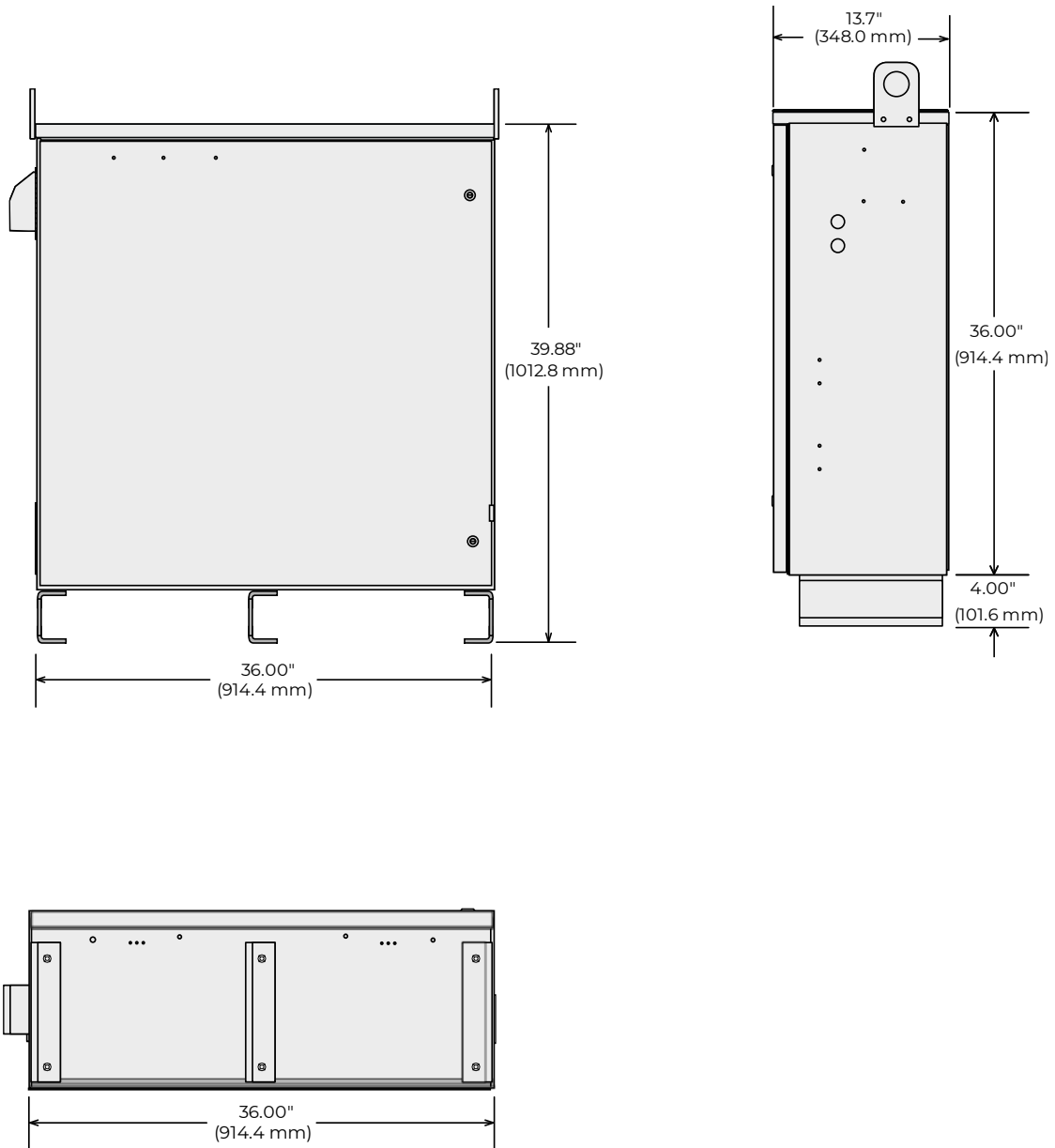
XL



Dimensions

Dimensions shown are for pad mount type. For other mounting, please contact us for details

XL



Backup time with different battery bank

The different XUPS products provides the required backup time according the application requirements and load factor. The following tables show the backup time for the various XUPS products for different load.

These run times are estimates at 25 °C, and are subject to change.

	Compact 24 V	Compact 48 V	Plus	Extended	Large	XL
Batteries	2 x 8GU1	4 x NP18-12	4 x 8GU1	4 x 8G24	4 x 8G31	4 x 8G4D
10 W	20 hr	20 hr	56 hr	140 hr	230 hr	500 hr
25 W	8 hr 4 min	8 hr	23 hr	57 hr	95 hr	200 hr
50 W	4 hr	4 hr	11 hr	28 hr	47 hr	100 hr
100 W	2 hr	2 hr	5 hr 37 min	14 hr	24 hr	51 hr
250 W	48 min	48 min	2 hr 15 min	5 hr 40 min	9 hr 27 min	20 hr
500 W	34 min	39 min	1 hr 27 min	4 hr 20 min	6 hr 5 min	12 hr
840 W	14 min	19 min	40 min	2 hr 25 min	3 hr 20 min	6 hr 45 min
1050 W	-	13 min	33 min	2 hr	2 hr 45 min	5 hr 40 min
1540 W	-	8 min	-	1 hr 10 min	1 hr 40 min	3 hr 30 min
2250 W	-	-	-	38 min	1 hr 3 min	2 hr 15 min



**TSI Power
Corporation**

| 1103 W Pierce Avenue, Antigo, WI 54409 USA |
 | Tel: + 1-715-623-0636 (US) / + 65-9842-6601(Asia) |
 | sales@tsipower.com | www.tsipower.com |