

ATS

ATS Model

500-3900

15 A
230 V

500-5900

20 A
230 V

500-7900

30 A
230 V

500-9900

40 A
230 V

TWO AC INPUTS - ONE AC OUTPUT / AUTOMATIC TRANSFER SWITCH

Automatic transfer switches

The ATS-500 automatic transfer switch is designed for multiple autonomous power sources. The ATS can be utilized as single or multiple units for different levels of redundancy.



Front view showing enable/disable audible alarm switch and LED status indicators

Typical ATS applications

Applications include but are not limited to telecom, data centers, industrial control, automatic test equipment, oil & gas and utilities.

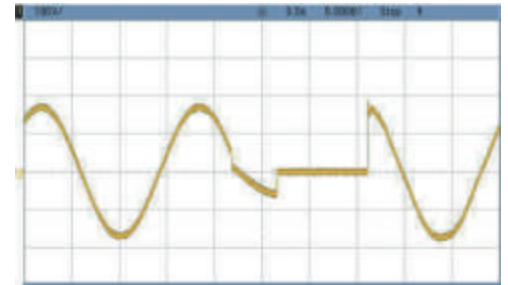


Rear view showing compartment covers, DB-9 connector, primary and backup circuit breakers

How the ATS works

The ATS works with asynchronous or out-of-phase power sources. Customers with special requirements can request custom programming to address special use situations.

The ATS is fed by two AC power sources. When the primary power source loses power, the ATS switches the load to the backup power source in under one cycle. This is fast enough to be invisible to even the most sensitive equipment.



Typical transfer between primary and backup power

CE



TSI
POWER

1103 W Pierce Avenue
Antigo, WI 54409 USA
Tel: +1-800-874-3160
Fax: +1-715-623-2426
sales@tsipower.com
www.tsipower.com

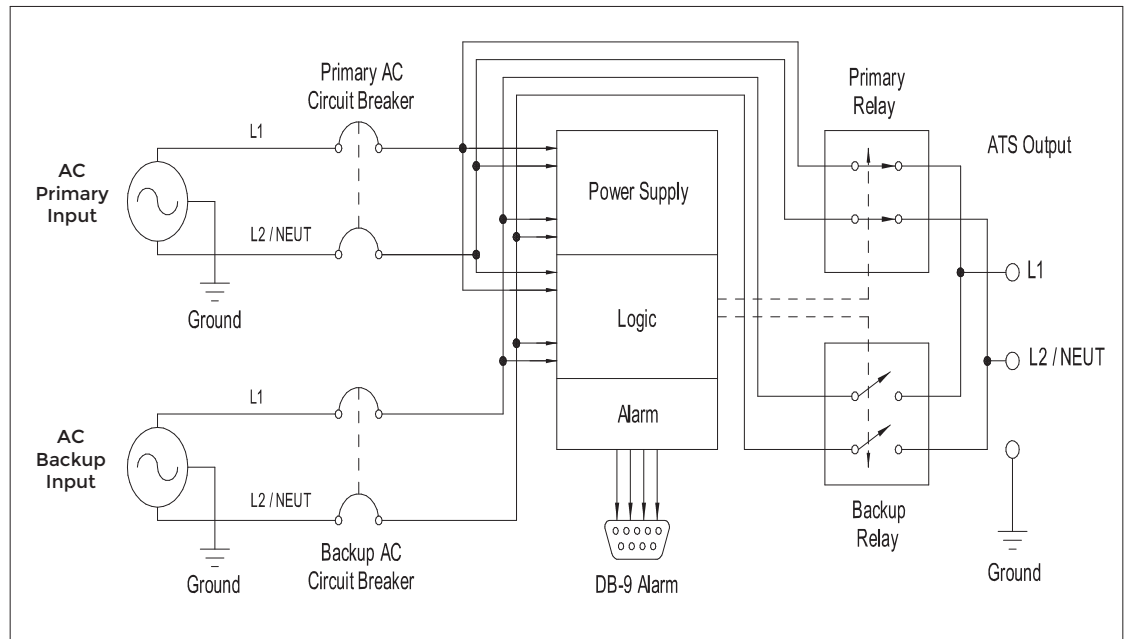
Features and Benefits

- Accepts asynchronous inputs from most supply voltages, including out-of-phase.
- Transfer time of under one cycle - fast enough for even the most sensitive loads.
- Audible alarm with enable/ disable switch for unattended security.
- LED indicators for visual display of fault conditions.
- Greater than 99% efficiency for substantial energy savings when used as batteryless UPS.
- Remote monitoring & enable via DB9 port.
- Galvanically isolated AC inputs.
- 70-90% reduction in CAPEX and OPEX when used as a batteryless UPS.
- Integral primary and backup rocker circuit breakers are readily visible and easily accessible at the rear.
- Allows redundant AC power to mission-critical equipment with any combination of UPS, generator, or other autonomous AC power sources.
- Rugged steel enclosure can be wall or floor mounted with optional mounting brackets.
- Only hard-wired automatic transfer switch on the market.

SPECIFICATION	ATS-500-3900	ATS-500-5900	ATS-500-7900	ATS-500-9900
ELECTRICAL				
VA at 230 V	3450	4600	6900	9200
Current rating	15 A	20 A	30 A	40 A
Switching technology	Mechanical relays			
INPUT				
Voltage range	230 V; 184 - 264 V ± 2.5 % nominal			
Frequency range	47 to 63 Hz, Caution: Both sources must use same nominal frequency			
Transfer time	Under one cycle			
AC input and output connections	Hardwire terminals			
OUTPUT				
Voltage / Current	230 V / 15, 20, 30 or 40A			
Load regulation	1 % from no load to full load			
Power efficiency	99 % or higher			
AC distribution	Hardwire terminals			
LED indicators:	Green: Primary output, Yellow: Backup output, Red: Primary or backup AC is out of tolerance			
Audible alarm	Buzzer beeps when loss of primary or backup AC occurs			
Audible alarm on / off	Enable / Disable switch			
Alarm contacts	Rear-mounted DB-9 connector sends loss of primary / backup AC			
PHYSICAL				
Dimensions: mm / inches	W: 286 mm / 11.25" H: 76 mm / 3" D: 292 mm / 11.5"			
Weight: kg / lbs.	3.63 kg / 8 lbs.			
Wall or floor mount kit	MK-4000C			
ENVIRONMENTAL				
Ambient temperature	0° to 40° C / 32° to 104° F			
AGENCY APPROVALS				
Safety	EN 60950-1			
EMC	Radiated: EN55022-1 Immunity: EN55024			
WARRANTY				
Warranty	Two year limited warranty covers parts and labor			



1103 W Pierce Avenue
 Antigo, WI 54409 USA
 Tel: +1-800-874-3160
 Fax: + 1-715-623-2426
 sales@tsipower.com
 www.tsipower.com



ATS System Architecture

TSI POWER's ongoing product improvement process makes specifications subject to change. Other companies product names herein are for identification purposes only and may be trademarks of their respective companies.