

ATS

Two AC inputs - one AC output | Automatic transfer switch

ATS Model
1000-3900
15 A 230 V
1000-5900
20 A 230 V
1000-7900
30 A 230 V
1000-9900
40 A 230 V

Automatic transfer switches

The ATS-1000 series of automatic transfer switches is designed for applications where two or more autonomous power sources are available. The ATS can be utilized as single or multiple units for different levels of redundancy.



Front view showing enable/disable audible alarm switch and LED status indicators

Typical ATS applications

Applications include but are not limited to telecom, computers, data centers, industrial control, automatic test equipment, oil exploration and utilities.

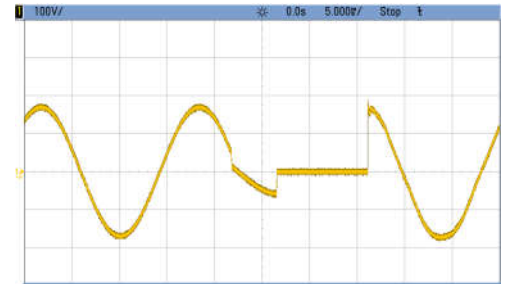


Rear view showing compartment covers, DB-9 connector, primary and backup circuit breakers

How the ATS works

The ATS works with asynchronous or out-of-phase power sources which allows them to be used with a number of different sources. Customers with special requirements can be offered custom programming to address special use situations.

The ATS is fed by two AC power sources. When the primary power source detector circuit senses a loss of power on that circuit, it immediately switches the load over to the backup power source in under one cycle. This is

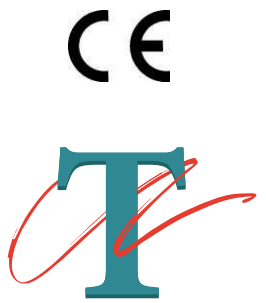


Typical transfer between primary and backup power

fast enough to be invisible to even the most sensitive equipment.

Features and Benefits

- Accepts inputs from asynchronous sources and can be used with most supply voltages, including out-of-phase.
- Transfer time of under one cycle between sources which is fast enough for even the most sensitive loads.
- Audible alarm with enable/ disable switch provides for unattended security.
- LED status indicators for quick visual displays of fault conditions.
- Higher than 99% efficiency means substantial energy savings (when the ATS is used as a battery-less UPS).
- Remote monitoring & enable function (unit ON/OFF) is provided through a DB9 port.
- AC Inputs are galvanically isolated.
- 70-90% reduction in both CAP-EX and OP-EX (when the ATS is used as a battery-less UPS).
- Built-in primary and backup 'flat-on' rocker style circuit breakers are highly visible and easily accessible on rear of unit.
- The ATS allows redundant AC power to mission-critical equipment using any combination of UPS, backup generator or other available autonomous AC power sources.
- Sturdy steel enclosure can be rack, wall or floor mounted with optional mounting Brackets.
- RCD (Residual Current Device) compatible.



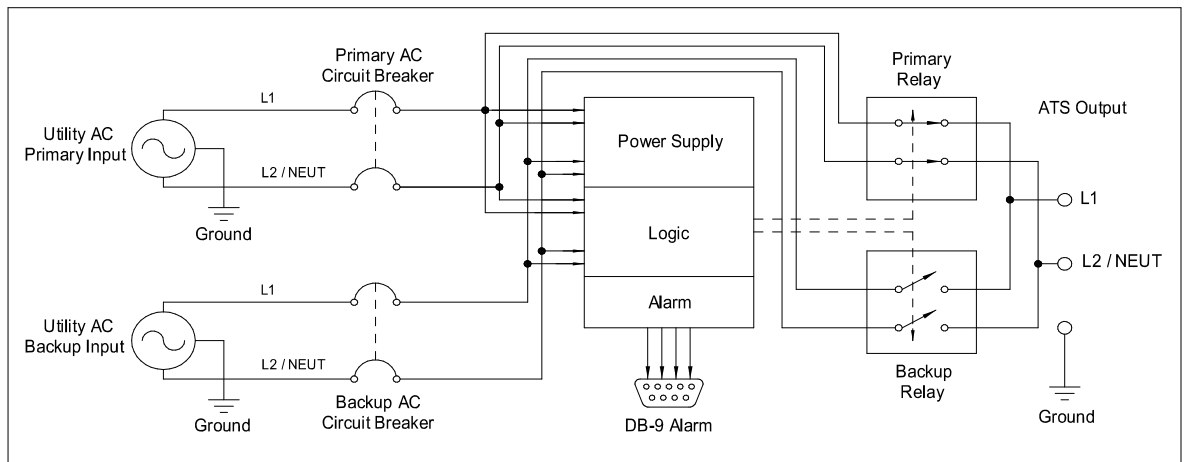
TSi POWER

1103 W Pierce Avenue
 Antigo, WI 54409 USA
 Tel: + 1-715-623-0636
 Fax: + 1-715-623-2426
 Toll-Free: 1-800-874-3160
 email: sales@tsipower.com
 Web: www.tsipower.com

SPECIFICATION	ATS-1000-3900	ATS-1000-5900	ATS-1000-7900	ATS-1000-9900
ELECTRICAL				
VA at 230 V	3450	4600	6900	9200
Current rating	15 A	20 A	30 A	40 A
Switching technology	Mechanical relays			
INPUT				
Voltage range	230 V; 184 - 264 V ± 2.5 % nominal			
Frequency range	47 to 63 Hz, Caution: Both sources must use same nominal frequency			
Transfer time	Under one cycle			
Input / output wire size	Ø 1.63 mm Ø 2.08 mm ²	Ø 2.05 mm Ø 3.3 mm ²	Ø 2.59 mm Ø 5.26 mm ²	Ø 3.26 mm Ø 8.36 mm ²
AC input and output connections	Hardwire terminals (standard Hardwired units must be installed by a qualified electrician)			
OUTPUT				
Voltage / Current	230 V / 15, 20, 30 or 40A			
Load regulation	1 % from no load to full load			
Power efficiency	99 % or higher			
AC distribution	Hardwire terminals (standard Hardwired units must be installed by a qualified electrician)			
LED indicators:	Green: Primary output, Yellow: Backup output, Red: No primary or backup AC			
Audible alarm	Buzzer beeps when loss of primary or backup AC occurs			
Audible alarm on / off	Enable / Disable switch			
Alarm contacts	Rear-mounted DB-9 connector sends loss of primary / backup AC			
PHYSICAL				
Dimensions: mm / inches	W: 406 mm / 16" H: 83 mm / 3.25" D: 305 mm / 12"			
Weight: kg / lbs	5.45 kg / 12 lbs			
Front mount kit for rack: 482.6 / 584.2 / 609.6 mm / 19" / 23" / 24"	MK-5019A / MK-5023A / MK-5024A			
Center mount kit for rack: 482.6 / 584.2 / 609.6 mm / 19" / 23" / 24"	MK-5019F / MK-5023F / MK-5024F			
Wall or floor mount kit	MK-5000C			
Ambient temperature	0° to 40° C / 32° to 104° F			
AGENCY APPROVALS				
Safety	EN 60950-1			
EMC	Radiated: EN55022-1 Immunity: EN55024			
WARRANTY				
Warranty	Two year limited warranty covers parts and labor			

TSi Power's ongoing product improvement process makes specifications subject to change. Other companies product names herein are for identification purposes only and may be trademarks of their respective companies.

ATS system architecture



TSi POWER

1103 W Pierce Avenue
 Antigo, WI 54409 USA
 Tel: + 1-715-623-0636
 Fax: + 1-715-623-2426
 Toll-Free: 1-800-874-3160
 email: sales@tsipower.com
 Web: www.tsipower.com