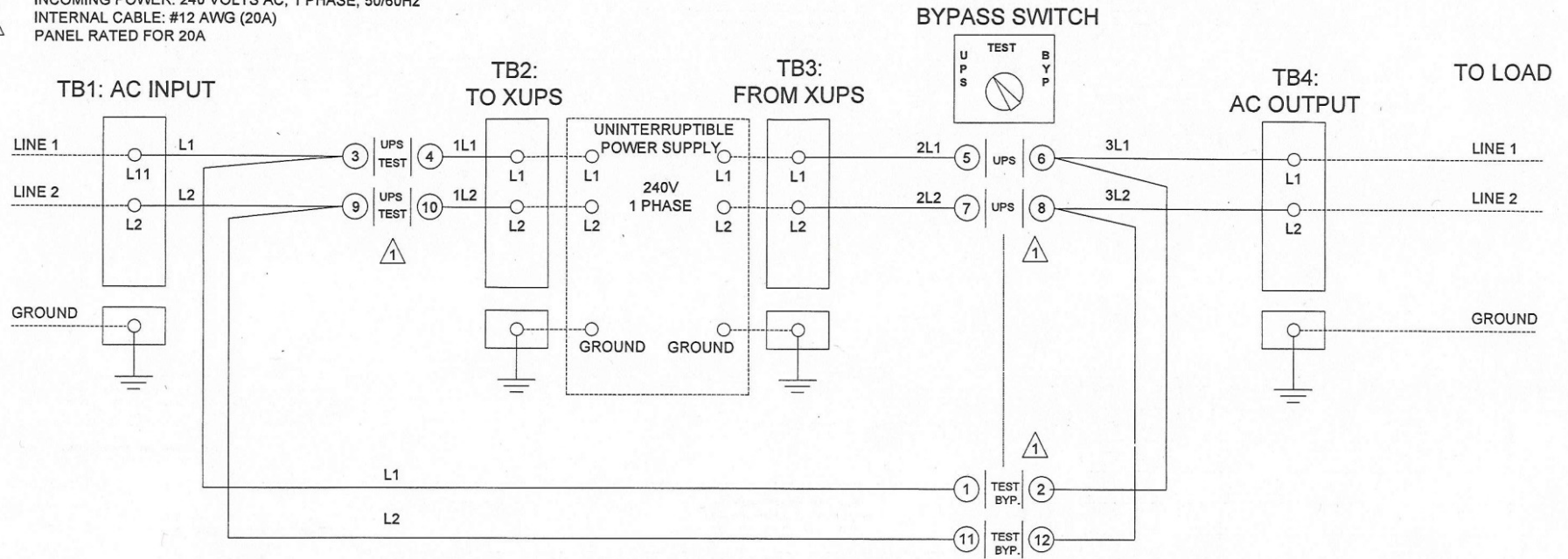




INCOMING POWER: 240 VOLTS AC, 1 PHASE, 50/60Hz
 INTERNAL CABLE: #12 AWG (20A)
 PANEL RATED FOR 20A



NOTES:



SWITCH CONTACTS ARE "MAKE-BEFORE-BREAK".
 CONTACTS MARKED "ON LINE" ARE CLOSED IN THE "UPS" POSITION.
 CONTACTS MARKED "TEST" ARE CLOSED IN THE "TEST" POSITION.



MAIN DISCONNECT AND BRANCH CIRCUIT
 PROTECTION PROVIDED BY OTHERS.

TSI Power Corporation
 1103 West Pierce Avenue
 Antigo, WI 54409, USA
 Toll-Free Tel: 800-874-3160 (for USA & Canada)
 Tel: +1-715-623-0636
 Fax: +1-715-623-2426
 URL: www.tsipower.com
 E-mail: sales@tsipower.com

TSI POWER CORPORATION

PART NUMBER:

MBS-5000

DRAWING NUMBER:

SGMBS5000

DESCRIPTION:

240 V, 1 PH, 20 A, NEMA 3R
 MAINTENANCE BYPASS PANEL
 ELECTRICAL SCHEMATIC

APPROVED:

LANCE BARSKE

DATE:

3/24/2020

REV.:

1

PAGE:

1 of 1