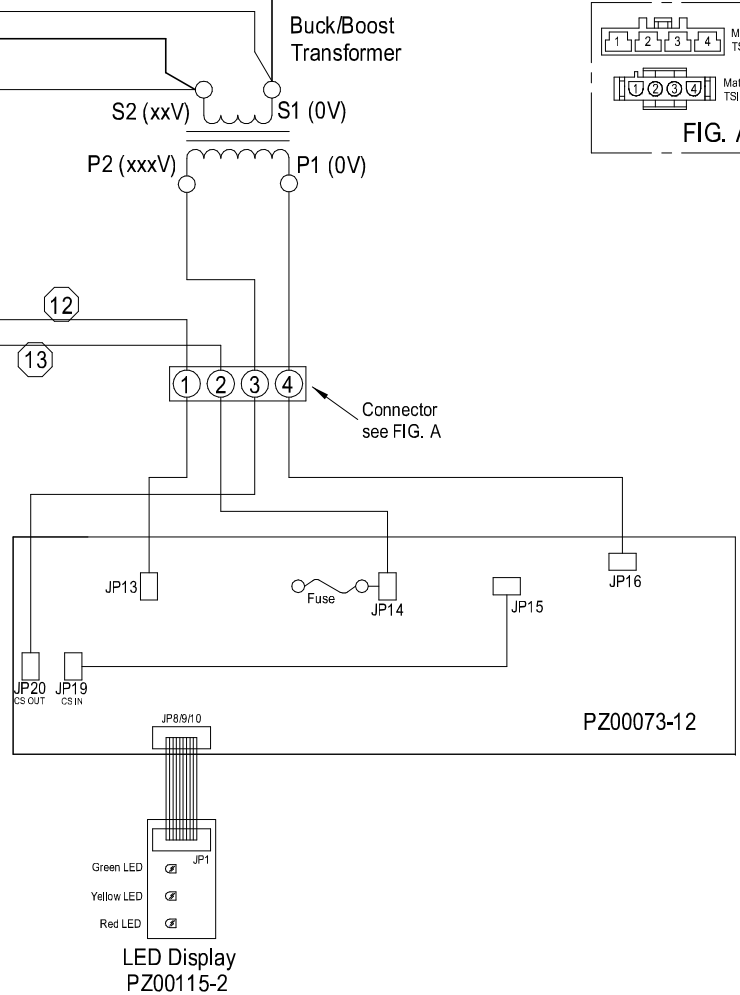
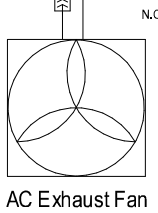
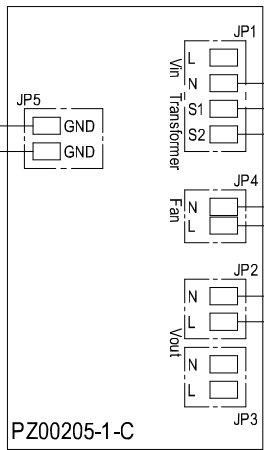
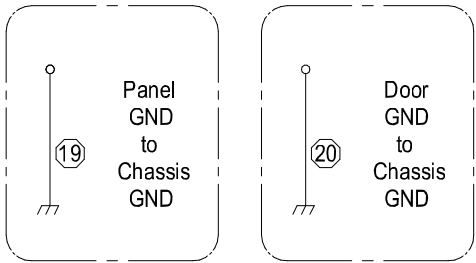


LI (or L1in) = Line Input (or Line 1 Input)
 NI (or L2in) = Neutral Input (or Line 2 Input)
 PE (or G) = Protective Earth (or Earth Ground)
 LO (or L1out) = Line Output (or Line 1 Output)
 NO (or L2out) = Neutral Output (or Line 2 Output)



Rev.1: 7/24/2020; Initial [SR2] release.

THE CONTENT OF THIS DOCUMENT IS THE EXCLUSIVE PROPERTY OF TSI POWER CORPORATION, AND MAY NOT, WITHOUT PRIOR WRITTEN PERMISSION OF TSI POWER CORPORATION BE REPRODUCED, COPIED, OR USED FOR ANY PURPOSE WHATSOEVER.

TSI POWER CORPORATION

WIRE DIAGRAM

TITLE 1-Phase VRX [SR2] with PZ00205-1-C

DWG. NO.	SDVRX12004		
APPROVED:	REV:	DATE:	7/24/2020
LANCE BARSKE	1	PAGE	1 OF 1