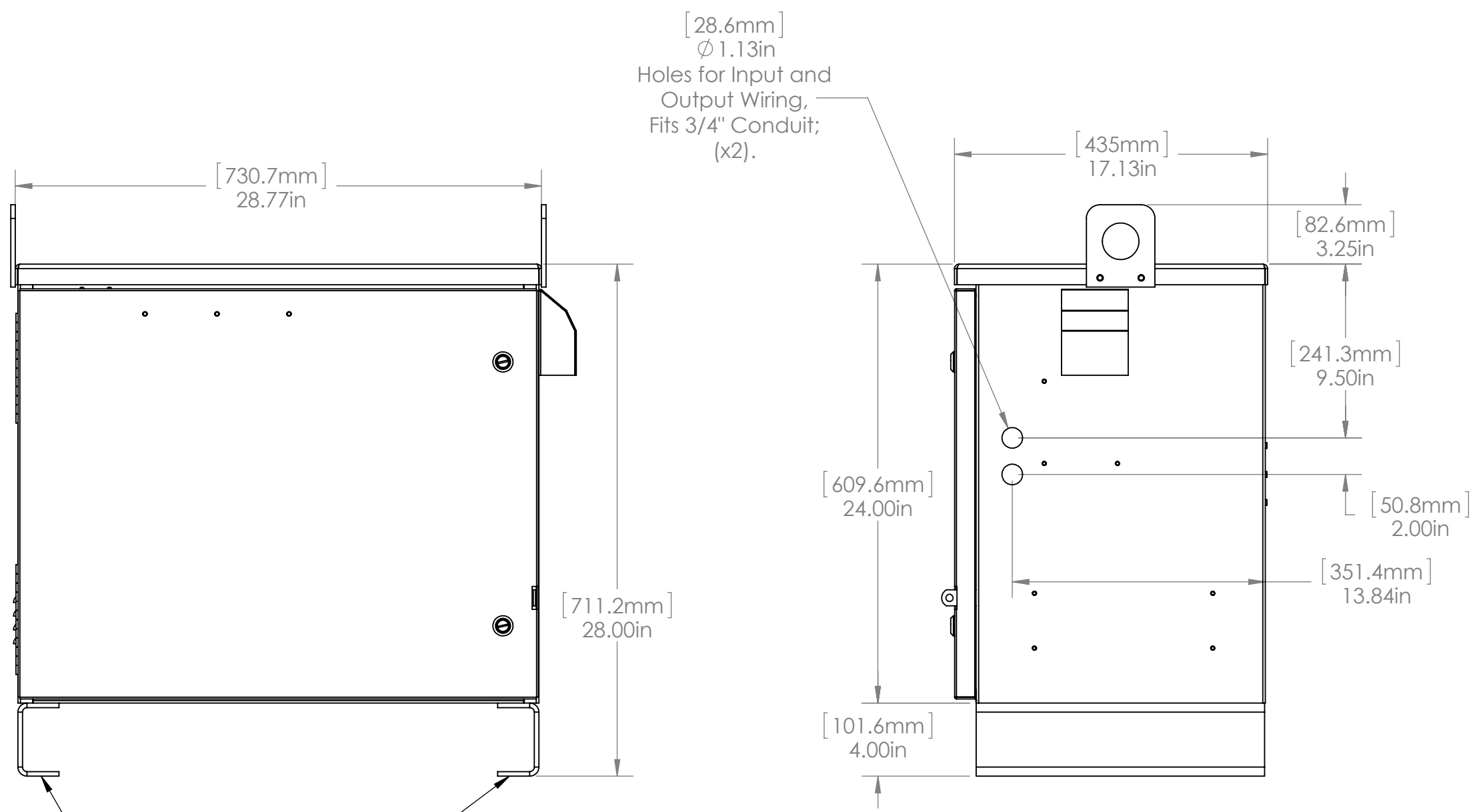
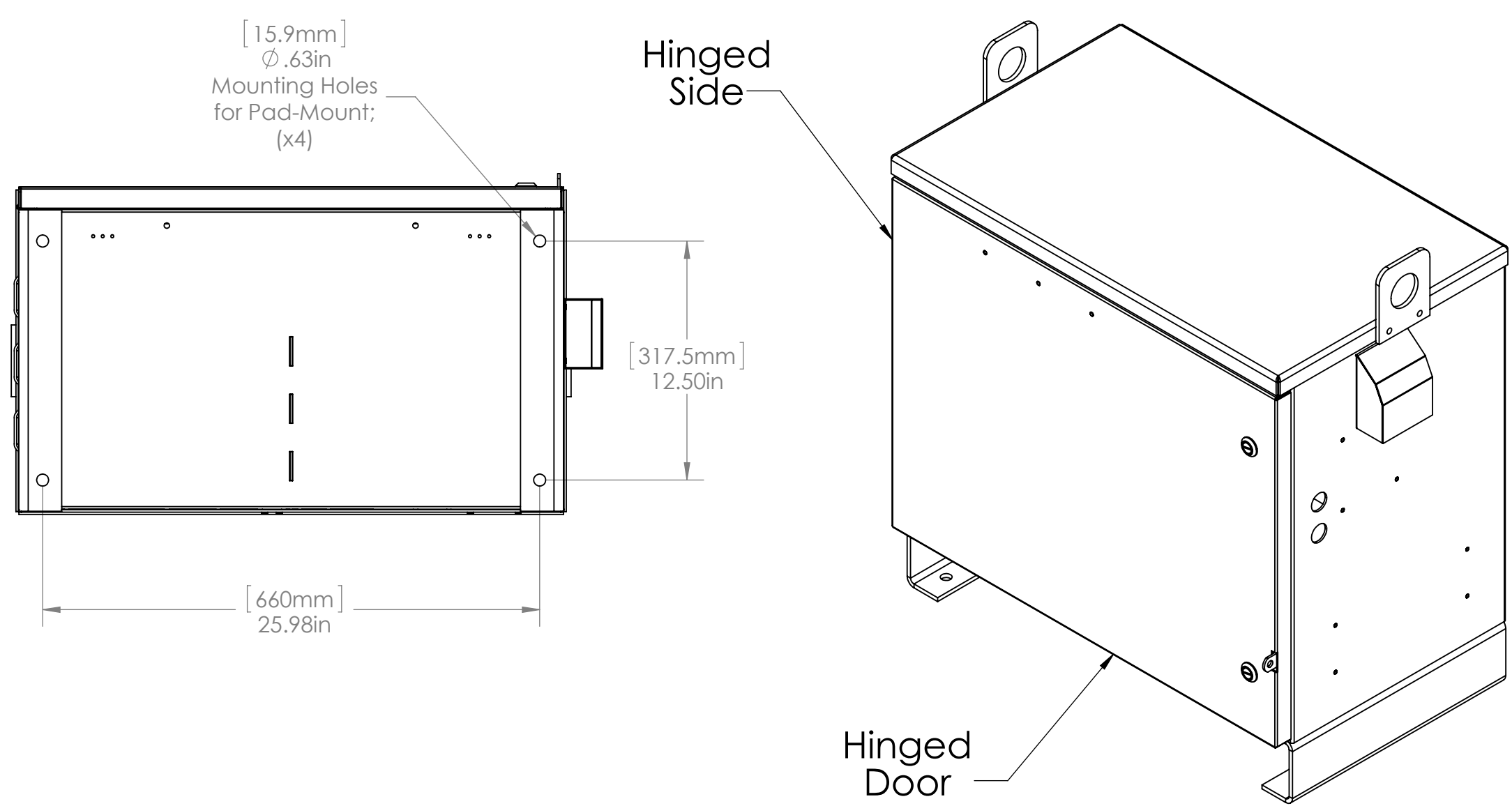


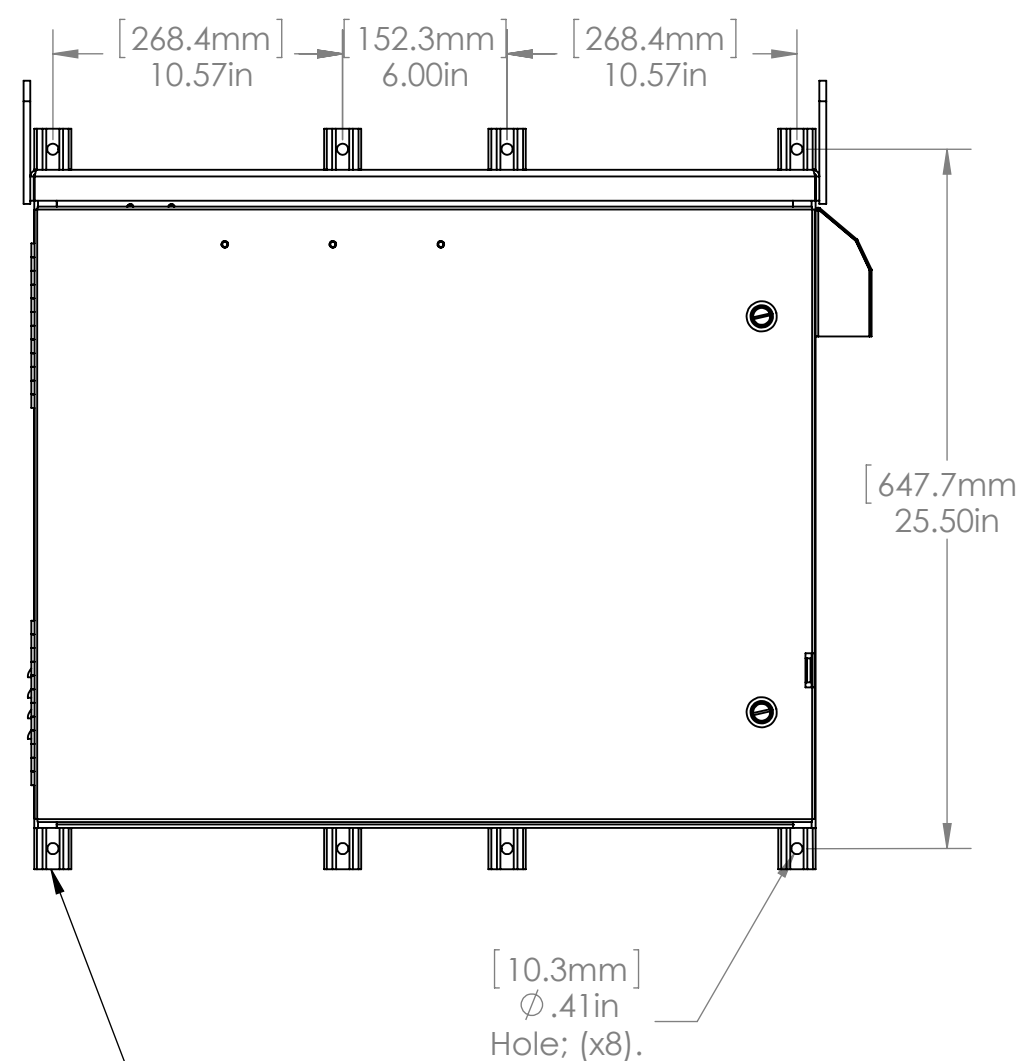
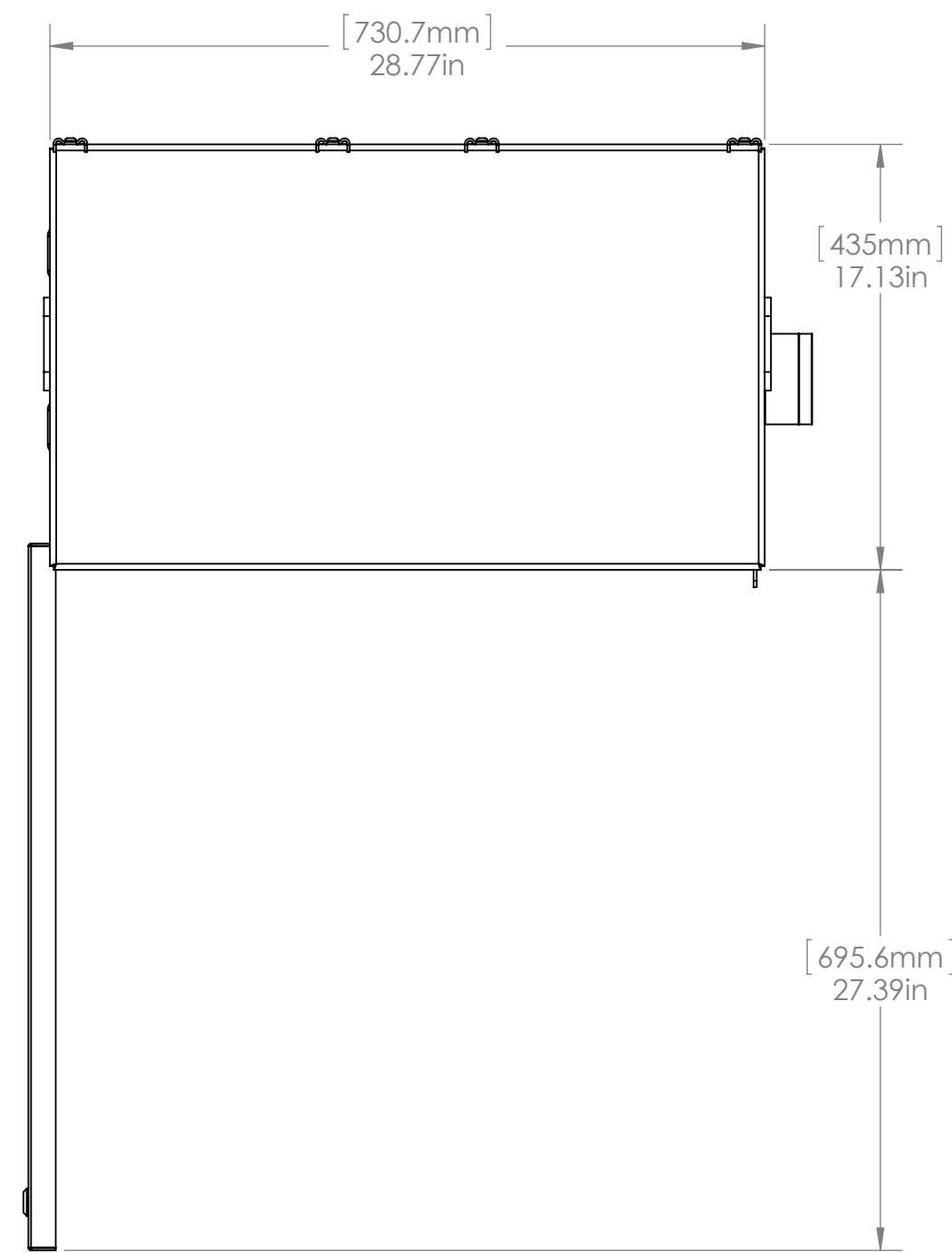
Pad-Mount Option [PAD2]



Pad-Mount Brackets
-Come Attached When
Pad-Mount Option Is Ordered

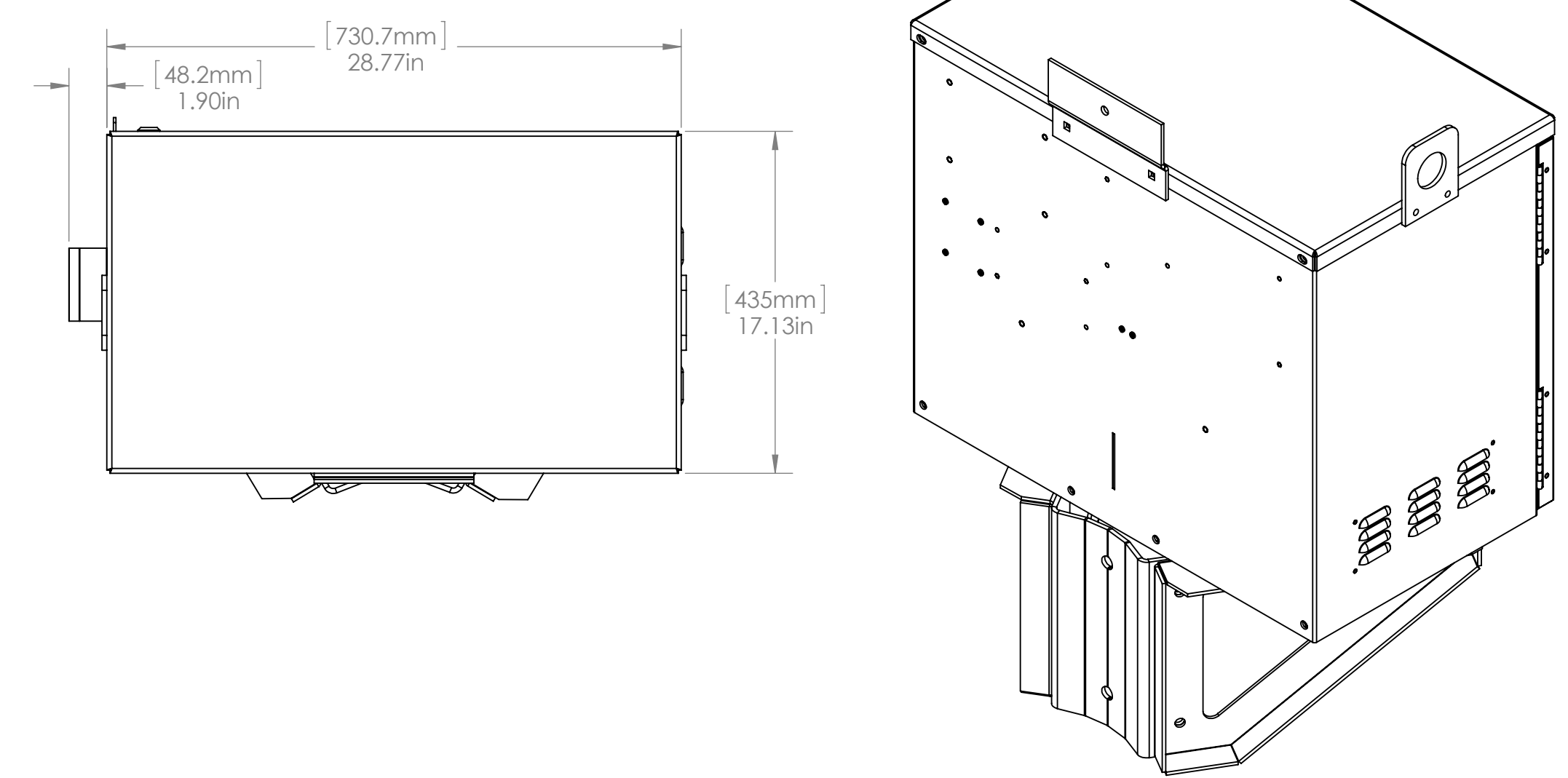


Wall-Mount Option (Standard) [ZC00194]

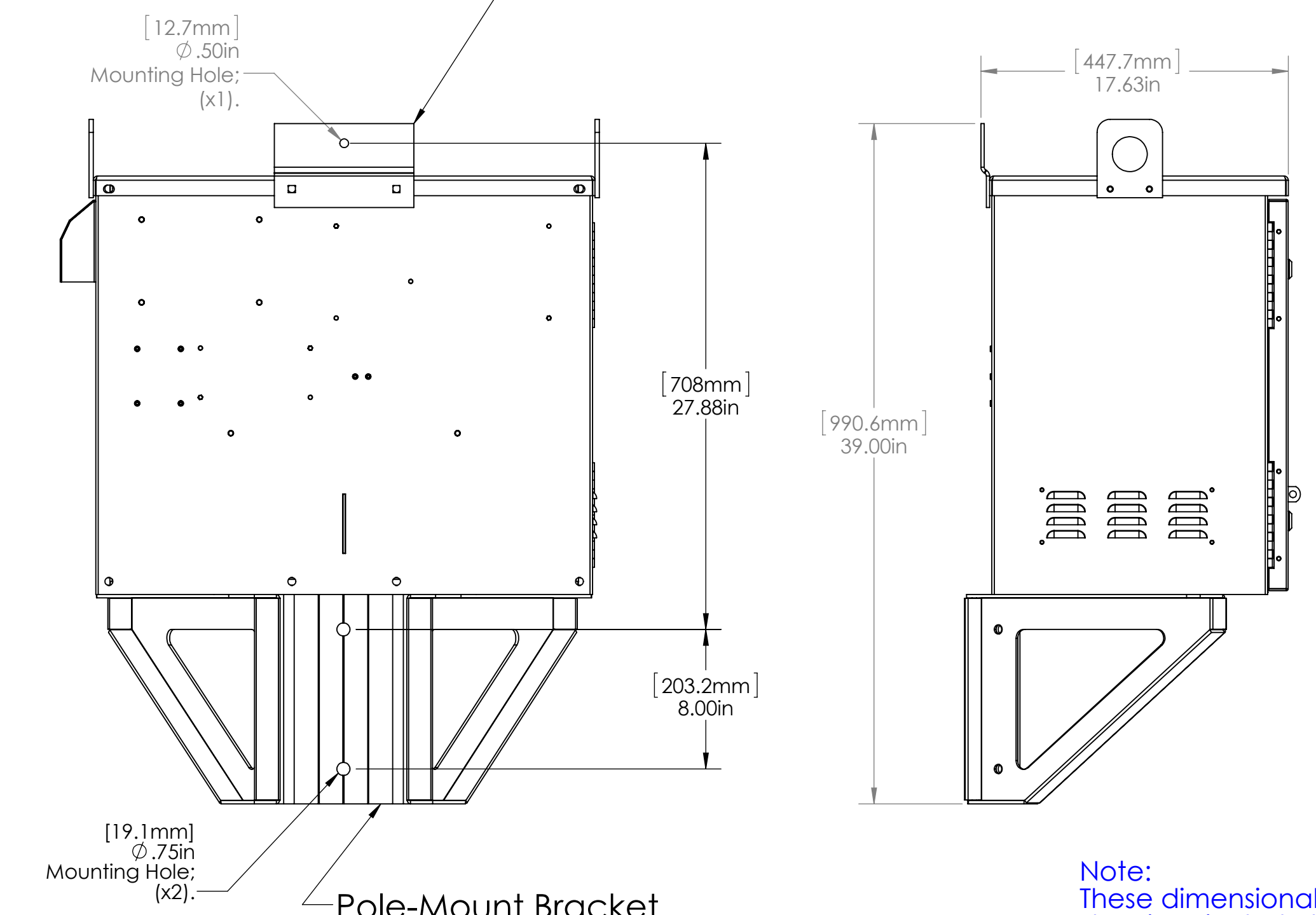


8 Wall-Mounting Ears
-Come Attached When
Standard Unit Is Ordered

Pole-Mount Option [PM4]



Cabinet Bracket for Pole-Mounting
-Comes Attached When
Pole-Mount Option Is Ordered



Pole-Mount Bracket
-Comes Separate When
Pole-Mount Option Is Ordered.
(Attachment to unit after bracket is attached to the pole)

Note:
These dimensional
drawings include but are
not limited to the following
TSi Power Products. TSi
products
-Outdoor XUPS-600B-0780
-Outdoor XUPS-3000B-0780
-Outdoor XUPS-XXXX-0780

PROPRIETARY AND CONFIDENTIAL
THE INFORMATION CONTAINED IN THIS
DRAWING IS THE SOLE PROPERTY OF
TSI POWER CORPORATION. ANY
REPRODUCTION IN PART OR AS A WHOLE
WITHOUT THE WRITTEN PERMISSION OF
TSI POWER CORPORATION IS PROHIBITED.

NAME	DATE
LANCE BARSKE	1/23/2015
COMMENTS: DIMENSIONS ARE IN MILLIMETERS AND INCHES	
SIZE	REV.
D	1

TSi POWER CORPORATION
TITLE:
28" x 24" x 16" Cabinet
Mounting Options / Dimensions
SCALE: 1:7 DO NOT SCALE DRAWING SHEET 1 OF 1