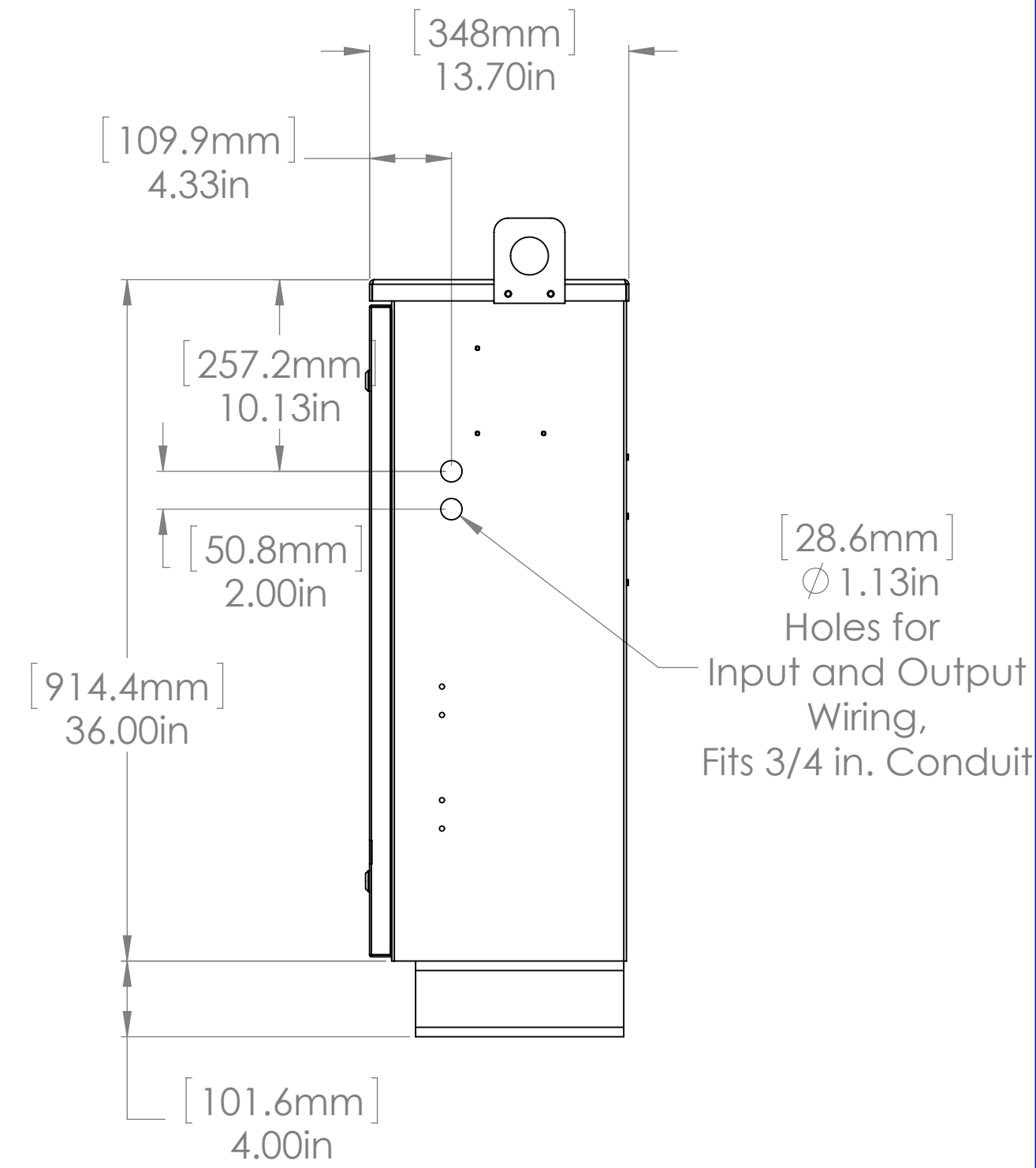
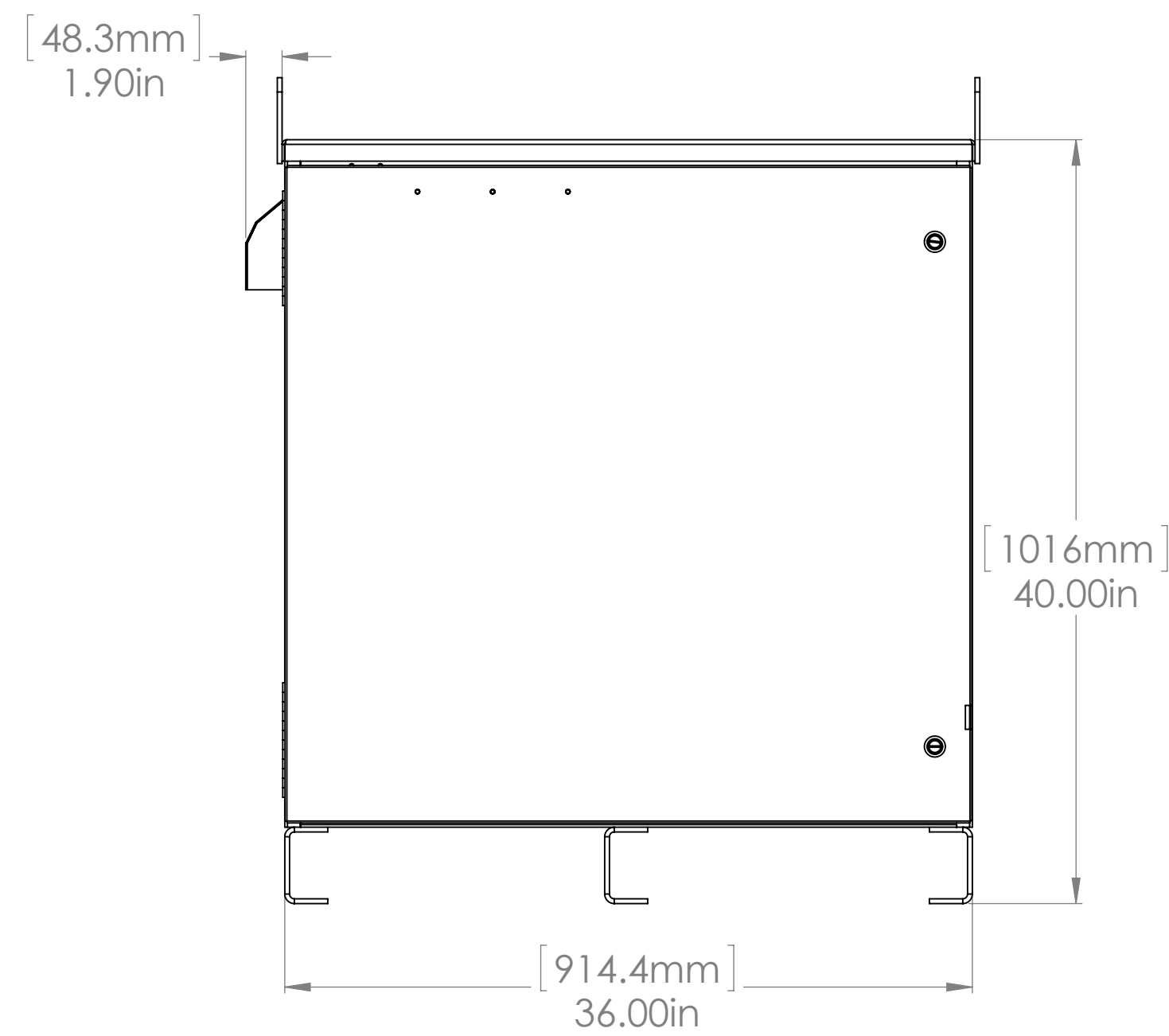
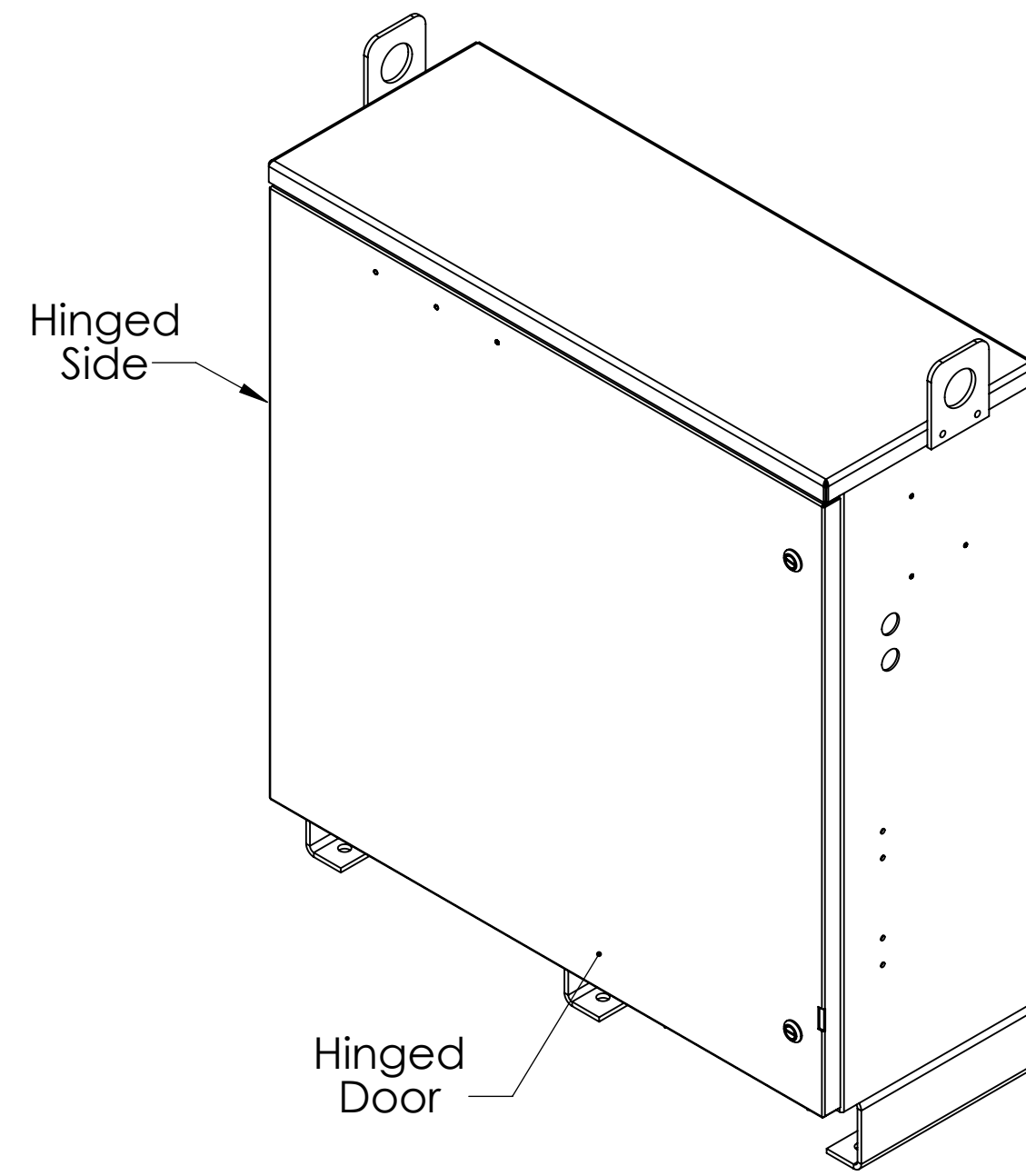
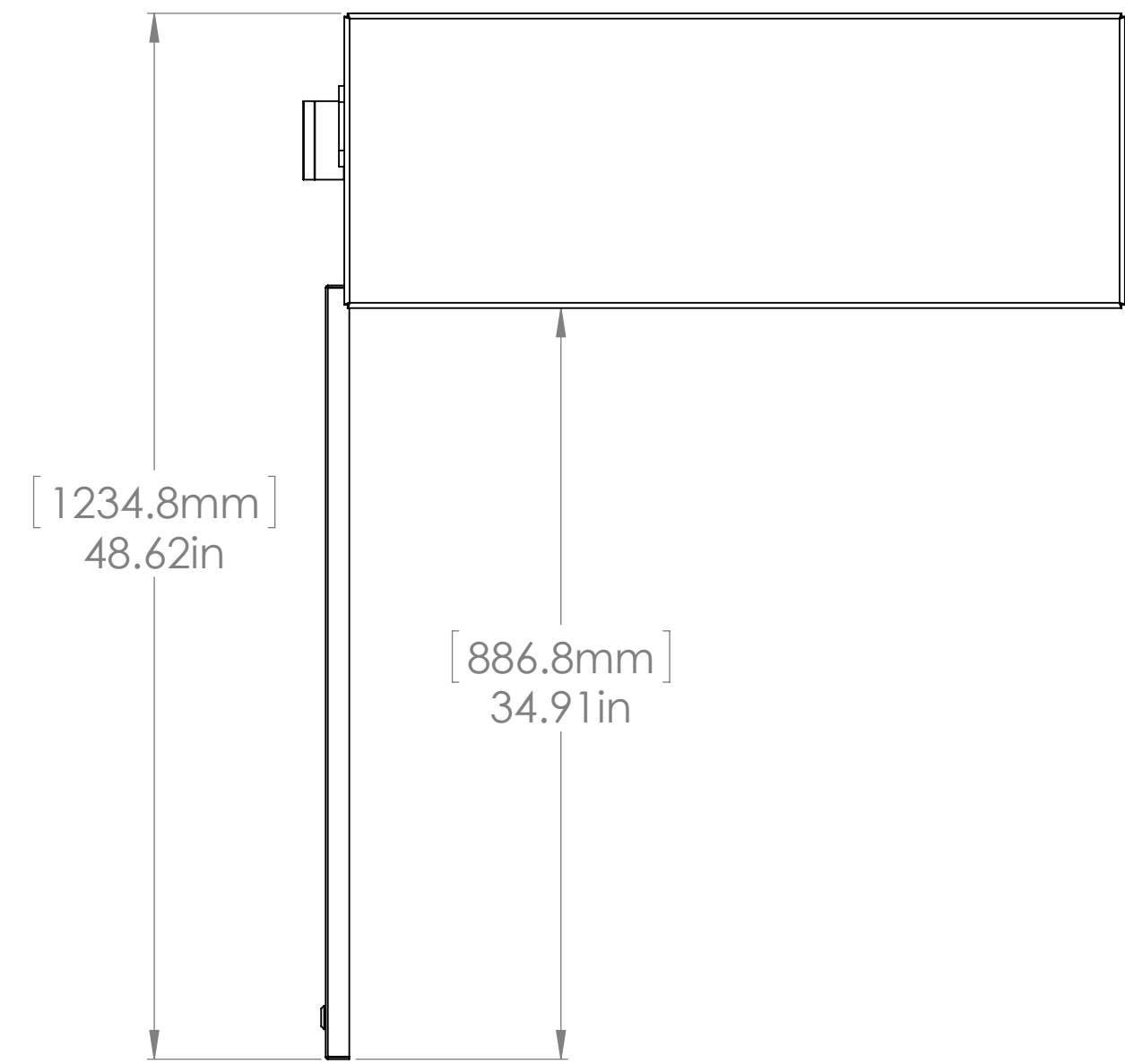
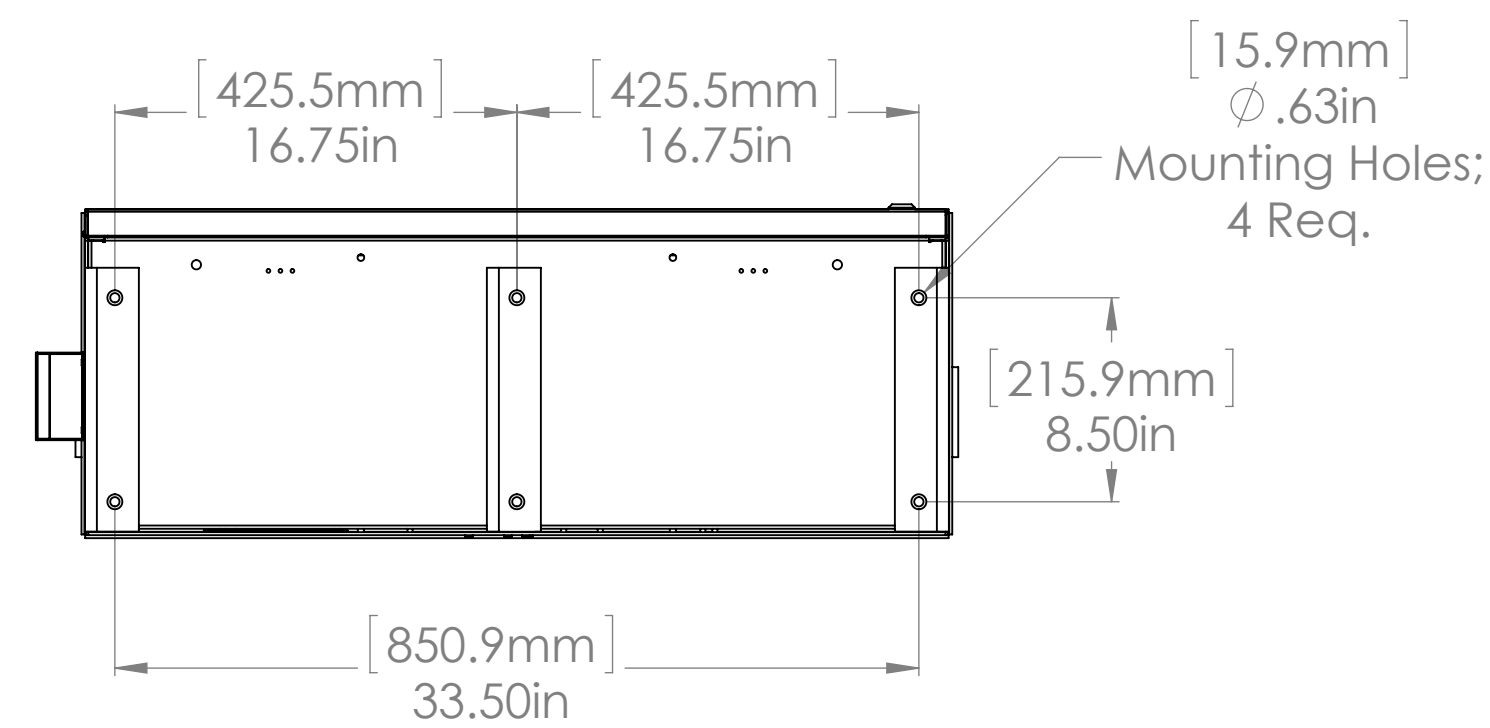


Pad-Mount Option

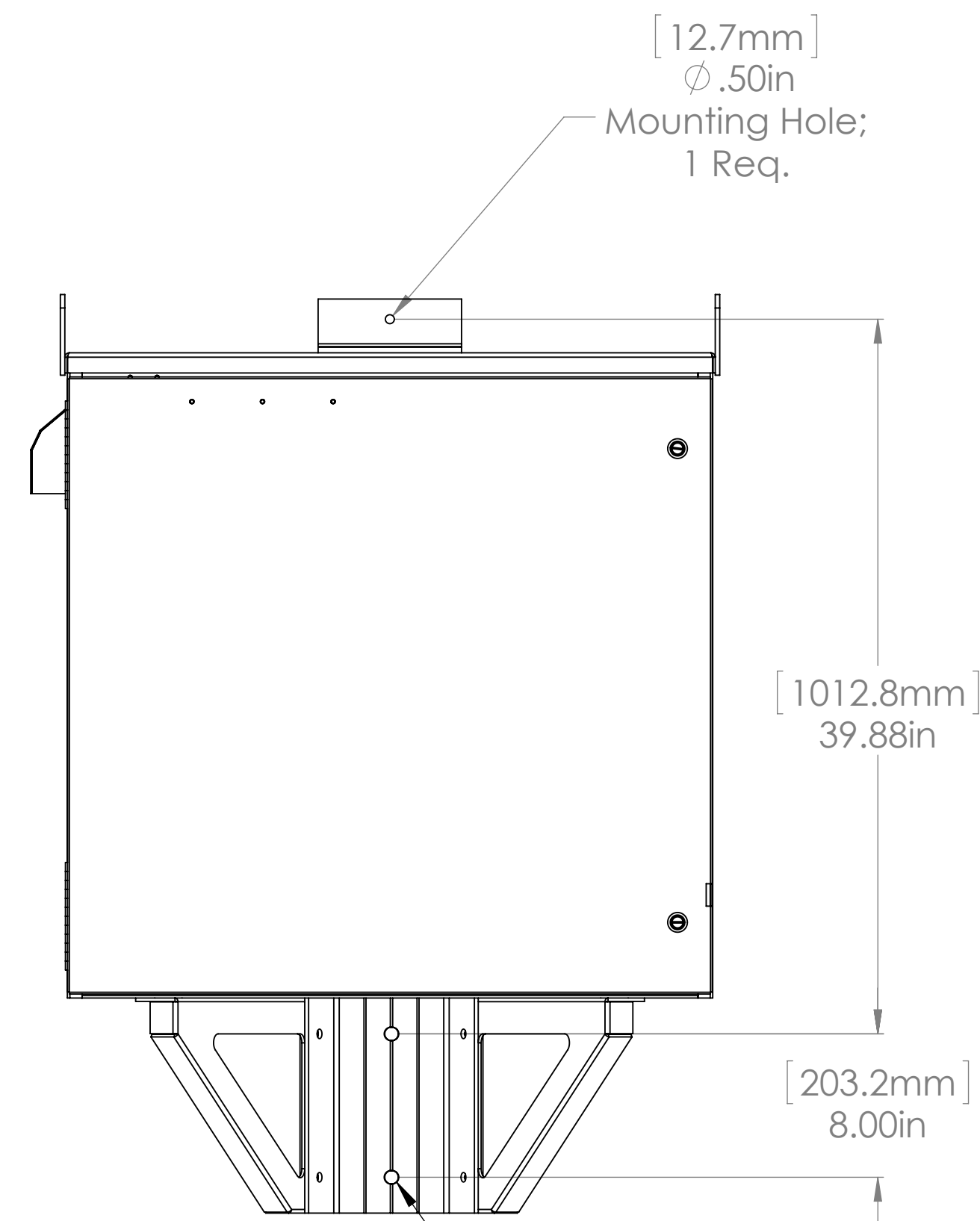
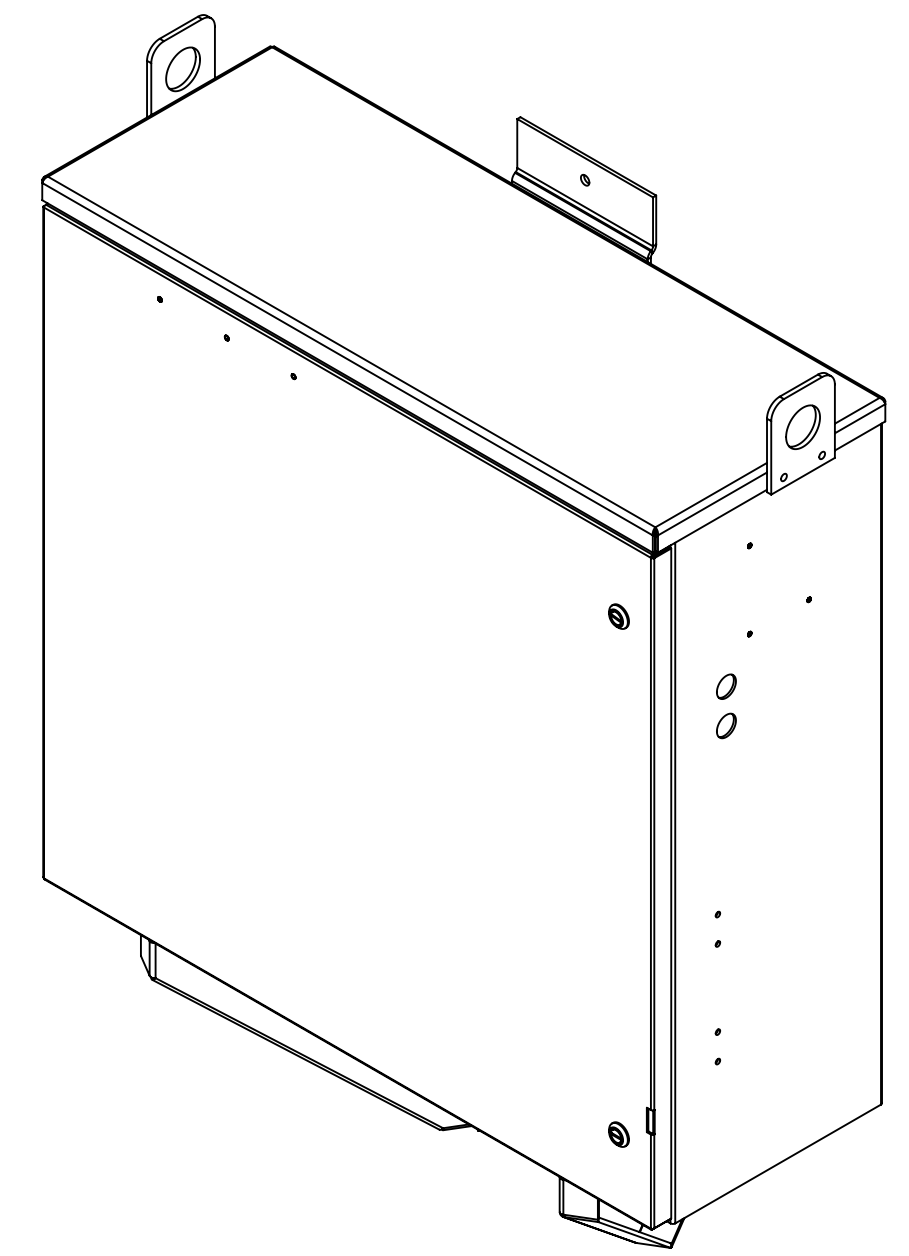
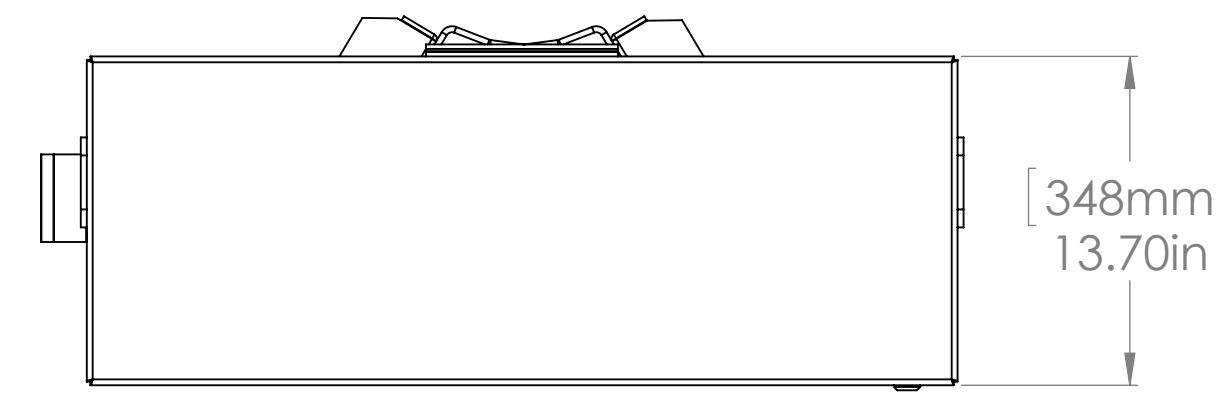
View from top with Door Open 90°



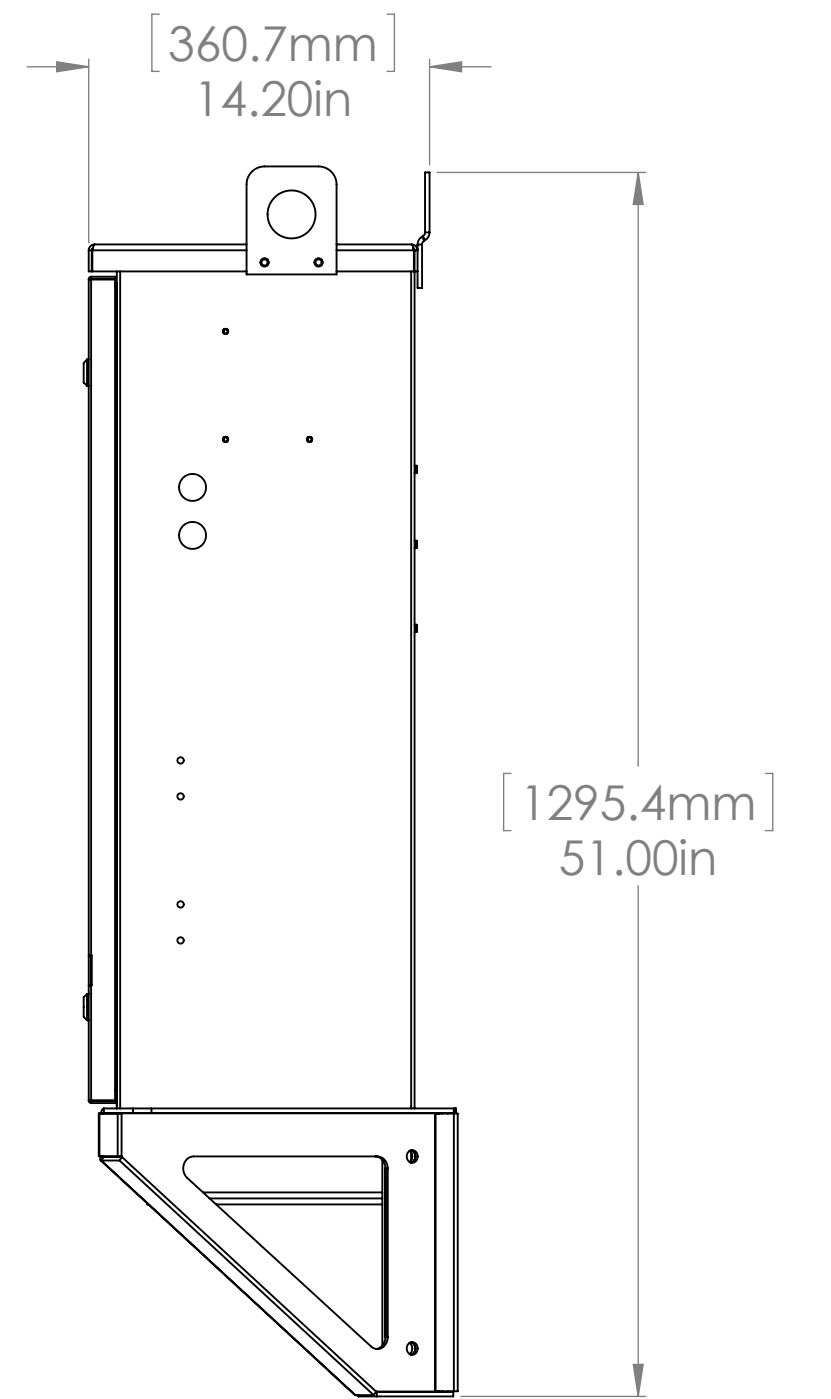
[28.6mm] ϕ 1.13in
Holes for
Input and Output
Wiring,
Fits 3/4 in. Conduit



Pole-Mount / Wall-Mount Option



[19.05mm] ϕ .75in
Mounting Hole;
2 Req.



Note:
These dimensional
drawings include but are
not limited to the following
TSi Power Products. TSi
products
-Outdoor XUPS-600XL
-Outdoor XUPS-1000XL
-Outdoor XUPS-1500XL
-Outdoor XUPS-2200XL
-Outdoor XUPS-3000XL

PROPRIETARY AND CONFIDENTIAL
THE INFORMATION CONTAINED IN THIS
DRAWING IS THE SOLE PROPERTY OF
TSI POWER CORPORATION. ANY
REPRODUCTION IN PART OR AS A WHOLE
WITHOUT THE WRITTEN PERMISSION OF
TSI POWER CORPORATION IS PROHIBITED.

DRAWN	NAME	DATE
LANCE BARSKE		1/20/2015
COMMENTS: DIMENSIONS ARE IN MILLIMETERS AND INCHES		
SIZE	D	REV. 0

TSi POWER CORPORATION
TITLE:
**36" x 36" x 12" (XL) Cabinet
Mounting Options / Dimensions**
SCALE: 1:8 DO NOT SCALE DRAWING SHEET 1 OF 1