

1

# ATS

ATS Model
500-3911
15 A 230 V
500-5911
20 A 230 V

## TWO AC INPUTS - ONE AC OUTPUT / AUTOMATIC TRANSFER SWITCH

### Automatic transfer switches

The ATS-500 automatic transfer switch is designed for multiple autonomous power sources. The ATS can be utilized as single or multiple units for different levels of redundancy.



Front view showing enable/disable audible alarm switch and LED status

### Typical ATS applications

Applications include but are not limited to telecom, data centers, industrial control, automatic test equipment, oil & gas and utilities.

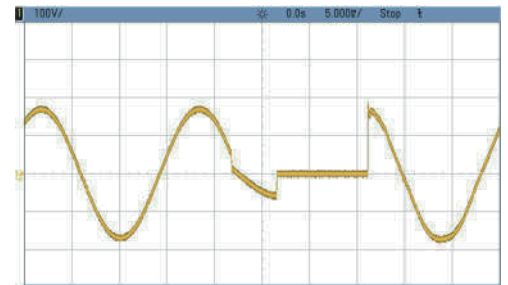


Rear view showing IEC input plugs & output receptacle, DB-9 connector, primary and backup circuit breakers

### How the ATS works

The ATS works with asynchronous or out-of-phase power sources. Customers with special requirements can request custom programming to address special use situations.

The ATS is fed by two AC power sources. When the primary power source loses power, the ATS switches the load to the backup power source in under one cycle. This is fast enough to be invisible to even the most sensitive equipment.



Typical transfer between primary and backup power



**TSI**  
POWER

1103 W Pierce Avenue  
Antigo, WI 54409 USA  
Tel: +1-800-874-3160  
Fax: +1-715-623-2426  
sales@tsipower.com  
www.tsipower.com

### Features and Benefits

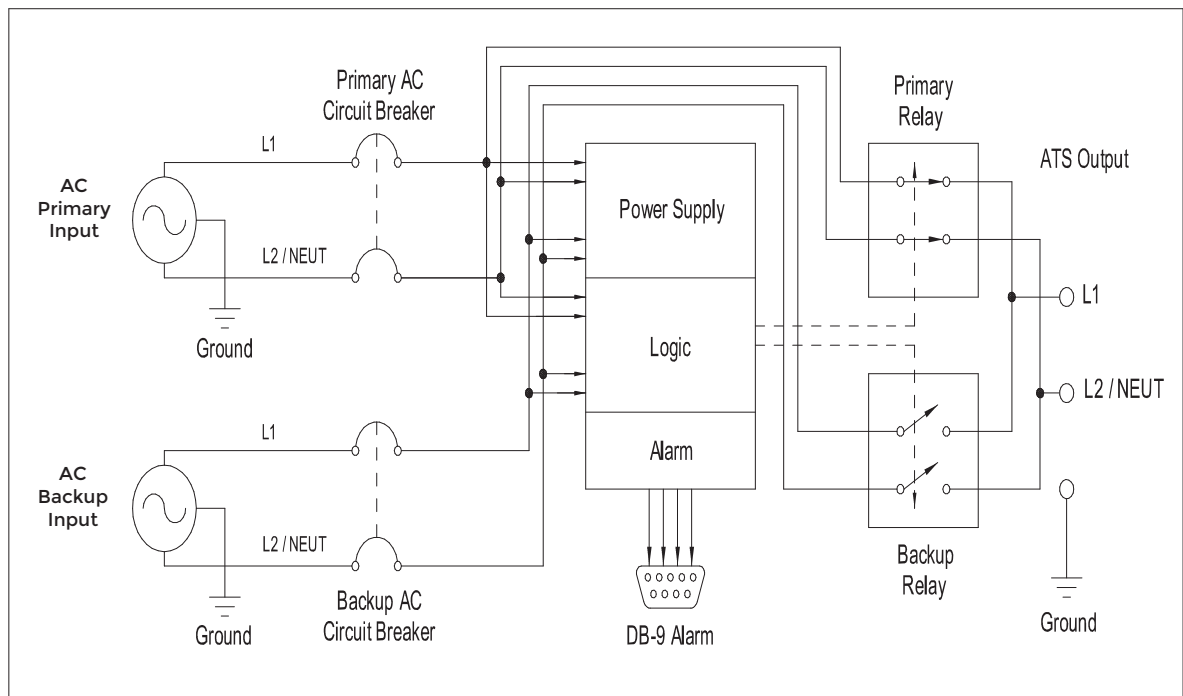
- Accepts asynchronous inputs from most supply voltages, including out-of-phase.
- Transfer time of under one cycle - fast enough for even the most sensitive loads.
- Audible alarm with enable/ disable switch for unattended security.
- LED indicators for visual display of fault conditions.
- Greater than 99% efficiency for substantial energy savings when used as batteryless UPS.
- Remote monitoring via DB9 port.
- Galvanically isolated AC inputs.
- 70-90% reduction in CAPEX and OPEX when used as a batteryless UPS.
- Integral primary and backup rocker circuit breakers are readily visible and easily accessible at the rear.
- Allows redundant AC power to mission-critical equipment with any combination of UPS, generator, or other autonomous AC power sources.
- Rugged steel enclosure can be wall or floor mounted with optional mounting brackets.

SPECIFICATION	ATS-500-3911	ATS-500-5911
<b>ELECTRICAL</b>		
VA at 230 V:	3450	4600
Current rating:	15 A	20 A
Switching technology	Mechanical relays	
<b>INPUT</b>		
Voltage range	230 V ; 184 - 264 V ± 2.5 % nominal	
Frequency range	47 to 63 Hz, Caution: Both sources must use same nominal frequency	
Transfer time	Under one cycle	
AC input connections	Hardwire terminals	
<b>OUTPUT</b>		
Voltage / Current	230 V / 15, 20 A	
Load regulation	1 % from no load to full load	
Power efficiency	99% or higher	
AC output connections	IEC60320 C-13	IEC60320 C-19
LED indicators:	Green: Primary output, Yellow: Backup output, Red: Primary or backup AC is out of tolerance	
Audible alarm	Buzzer beeps when loss of primary or backup AC occurs	
Audible alarm on / off	Enable / Disable switch	
Alarm contacts	Rear-mounted DB-9 connector sends loss of primary / backup AC	
<b>PHYSICAL</b>		
Dimensions: mm / inches	W: 286 mm / 11.25" H: 76 mm / 3" D: 292 mm / 11.5"	
Weight: kg / lbs.	3.63 kg / 8 lbs.	
Wall or floor mount kit	MK-4000C	
<b>ENVIRONMENTAL</b>		
Ambient temperature	0° to 40° C (32° to 104° F)	
<b>AGENCY APPROVAL</b>		
Safety	EN 60950-1	
EMC	Radiated : EN55022-1 Immunity: EN55024	
<b>WARRANTY</b>		
Warranty	Two year limited warranty, parts and labor	



1103 W Pierce Avenue  
 Antigo, WI 54409 USA  
 Tel: +1-800-874-3160  
 Fax: +1-715-623-2426  
 sales@tsipower.com  
 www.tsipower.com

Copyright © 2019 TSI POWER



ATS System Architecture

TSI POWER's ongoing product improvement process makes specifications subject to change. Other companies product names herein are for identification purposes only and may be trademarks of their respective companies.