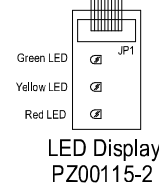
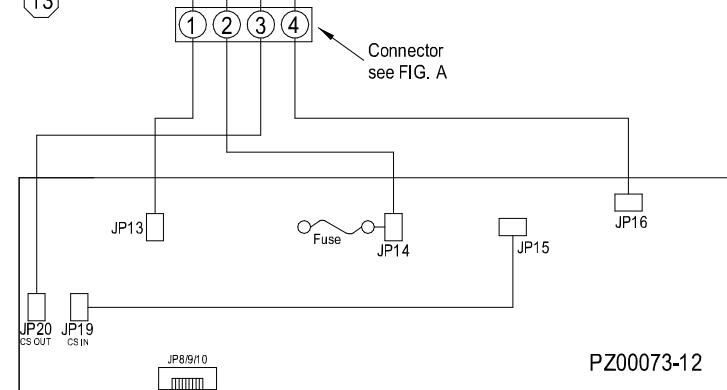
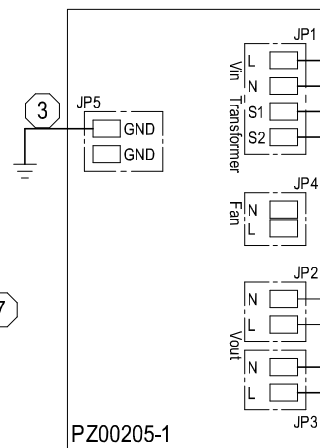
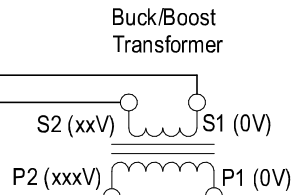
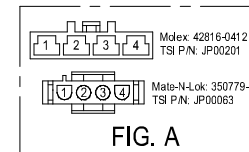
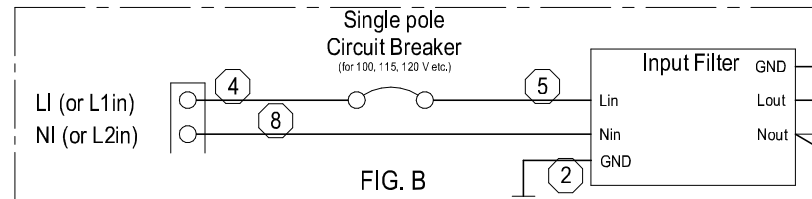
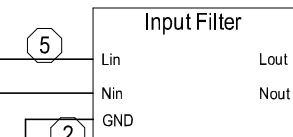


**Double pole
Circuit Breaker**
(for 208, 220, 230 and 240 V units)
(See FIG. B for 100, 115, 120 V etc.)

LI (or L1in)
NI (or L2in)
PE (or G)
PE (or G)
LO (or L1out)
NO (or L2out)

LI (or L1in) = Line Input (or Line 1 Input)
NI (or L2in) = Neutral Input (or Line 2 Input)
PE (or G) = Protective Earth (or Earth Ground)
LO (or L1out) = Line Output (or Line 1 Output)
NO (or L2out) = Neutral Output (or Line 2 Output)



Rev.0: 7/15/2019, Initial release.
Rev.1: 8/3/2020, Revised to [SR2]. New circuit boards and added input filter.
Rev.2: 9/24/2020, Renumbered input and output ground wires.

DWG. NO. SDVRP12001

THE CONTENT OF THIS DOCUMENT IS THE EXCLUSIVE PROPERTY OF TSI POWER CORPORATION, AND MAY NOT, WITHOUT PRIOR WRITTEN PERMISSION OF TSI POWER CORPORATION BE REPRODUCED, COPIED, OR USED FOR ANY PURPOSE WHATSOEVER.

TSI POWER CORPORATION

WIRE DIAGRAM

TITLE 1-Phase VRP [SR2]
with PZ00205-1-A or B

APPROVED: LANCE BARSKE

REV: 2 DATE: 9/24/2020
PAGE 1 OF 1